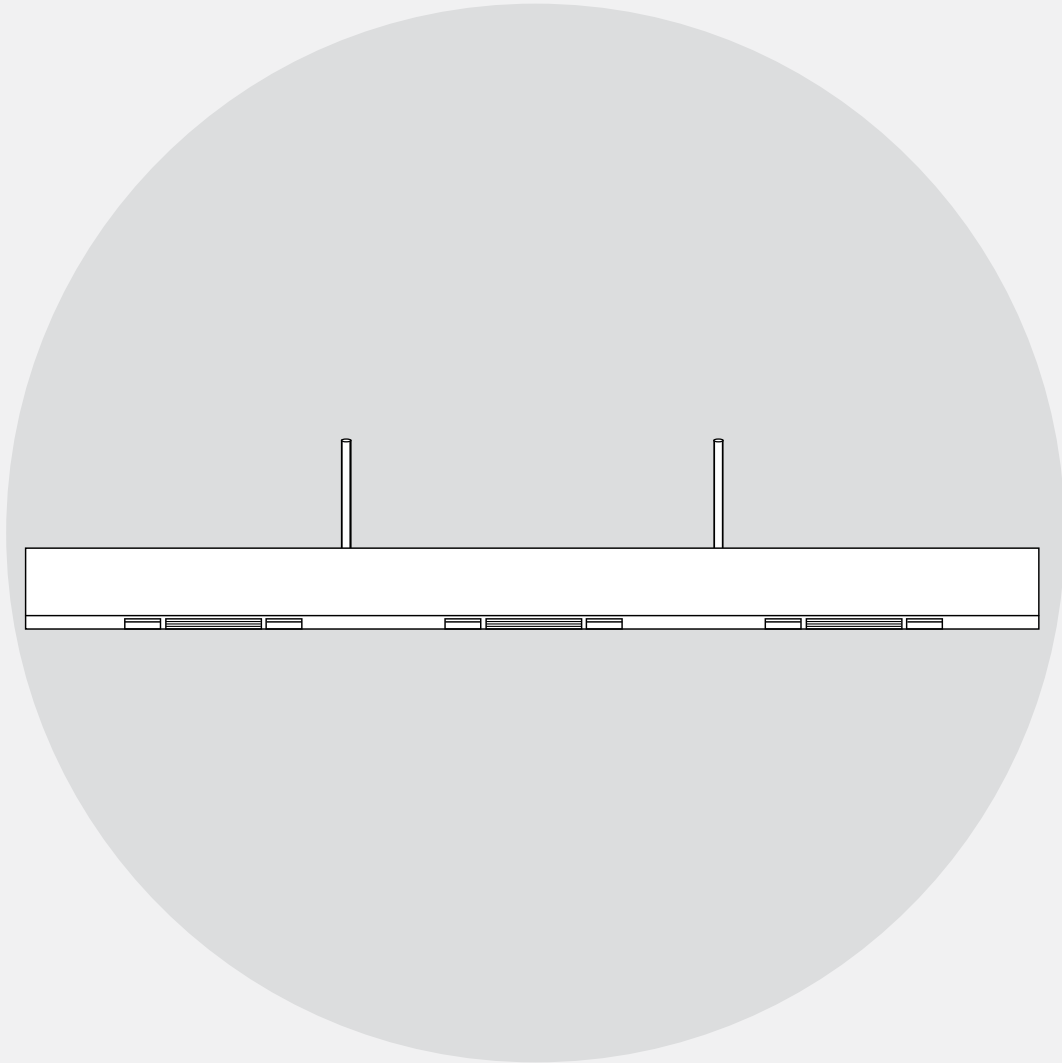


HEATSAIL

EXTEND YOUR GREAT MOMENTS



BEEM[®] MANUAL

For the most recent version of this manual, check our website.
Do not discard this manual, as it contains your device's serial number.

SUMMER
NIGHTS
SHOULD LAST
FOREVER

EN	1. Electrical safety procedures & requirements	6
	2. Operational safety	7
	3. Maintenance	8
	4. Warranty conditions	10
	5. Applicable law – competent court	11
	6. Assembly and wiring instructions	12
	7. Operation	21
	8. Troubleshooting	21
FR	1. Consignes de sécurité électrique & conditions d'utilisation	25
	2. Sécurité	26
	3. Entretien	27
	4. Conditions de garantie	29
	5. Droit applicable	30
	6. Installation illustrée et schémas de connexion	31
	7. Opération	40
	8. Dépannage	40

Thank you for your purchase!

This manual is inextricably linked to the BEEM® and must always be kept by the user or by the responsible person.

Read the user instructions carefully. It contains essential information about safety, use, cleaning and maintenance of the BEEM. Heatsail cannot be held liable for damage to persons, animals and objects resulting from non-compliance with the instructions in the user manual.

Heatsail reserves the right to make changes to the product, technical features and instructions at any time and without prior notice.

If you resell the BEEM, transfer it to another user or leave it behind when relocating, the manual must be made available to the new user.

We wish you many warm and pleasant evenings with our BEEM.

User manual

Operating, maintenance and installation.

Attention

Please read through these instructions carefully before using your BEEM.

Do not discard this manual, as it contains your device's serial number.

1. Electrical safety procedures & requirements

The use of the BEEM requires an electrical system with sound safety grounding. The electrical safety of the device is only assured if it is correctly connected to a grounding system built in accordance with safety regulations. It must be inspected before use. If anything is unclear, a qualified and authorized person must be consulted. Heatsail is not responsible for damage caused by an ungrounded device.

The installation of the BEEM electrical components requires a main connection of 240V-50/60Hz (16 Amp fuse AND 30 mA RCD for the single BEEM, 20 Amp fuse AND 30 mA RCD for the double BEEM): the connection must be properly implemented in accordance with the applicable IEC-CEI standards and local ordinances.

This product must be installed by a licensed electrician and the power supply connection should be in accordance with the requirements of NFPA 70 and OSHA Regulations 29 CFR 1910.304(b)(2).

Please note: Statutory and other local regulations may apply. The electrical power supply will need to be interrupted using lock-out/tag-out procedures before work on the electrical components can be carried out.

Electric adapters, power strips and/or extension cords may not be used for the BEEM electrical supply. A switch must be installed between the BEEM and the fuse box at all times. Non-compliance with these instructions may compromise the safety of the device. Heatsail will not be held liable for any damage resulting from these issues.

2. Operational safety

A minimum clear height of 71 inches (1.80 meters) must be observed for the BEEM, measured between the ground and bottom of the lowest heating element at the time of installation.

Children must be under adult supervision at all times when near this product, when in use. This product is not intended to be operated by children, to be played with or to be played on. The BEEM must be kept out of reach of anyone incapable of assessing the risks which can arise from the (improper) use of electrical equipment.

Do not use the BEEM in small rooms when occupied by persons not capable of leaving the room on their own, unless constant supervision is provided.

CAREFUL - The heater reaches very high temperatures and can cause burns. The BEEM must never be touched after it is switched on.

Special attention must be given when children and vulnerable people are present.

The BEEM will remain hot for a considerable period of time after it has been switched off. Do not touch the BEEM for a period of 40 minutes after it has been switched off. Caution should be exercised at all times.

The BEEM must never be used when the glass is damaged.

The BEEM may not be used with a timer or any device which can automatically switch on the heating as there is a risk of fire if the BEEM has been incorrectly positioned or if items have been placed within the minimum safe operating distance.

Never use the BEEM in the immediate vicinity of a bath, jacuzzi, shower, or swimming pool.

To reduce the risk of fire, keep textiles, curtains, or any other flammable material a minimum distance of 40 inches (100 cm) from the BEEM. Never cover your BEEM without disconnecting the power supply via the circuit breaker.

The BEEM must never be touched with bare, wet or damp body parts.

The BEEM is constructed of six (BEEM 230, BEEM 290) or eight (BEEM 390, BEEM 520) high-radiance ceramic heating elements, mounted on a reflective plate. The full operating temperature will be reached within 30 minutes.

Please note: There is no noticeable glow in the infrared area.

Never use the BEEM to light anything on fire. The ceramic elements are fragile and must be handled with care. The same also applies to the glass casing.

The BEEM can only be installed at covered places.

✳ **The BEEM is not allowed for use in greenhouses or construction sites.**

Always keep the BEEM free of snow.

Heatsail will not be held responsible for damage resulting from non-compliance with the instructions regarding use and maintenance.

3. Maintenance

3.1. Cleaning

Your BEEM must be cleaned on a monthly basis.

The electrical supply must be disconnected via the installation's breaker switch before cleaning activities can commence. Cleaning may only be done with a dry and soft cloth. Do not use any abrasive cloths. Do not use detergents. Using a high-pressure and/or steam cleaner is prohibited. Cleaning is only permitted once the BEEM has completely cooled down.

Non-compliance with these rules may compromise the safety of the device. Heatsail will not be held responsible for damage resulting from non-compliance with the cleaning instructions.

3.2. Replacing the bulb

Your BEEM is supplied with six (BEEM 230, BEEM 290) or eight (BEEM 390, BEEM 520) G9 halogen bulbs of 120V/ 40 Watt as standard. The maximum permitted output power is 40 Watt per bulb.

The electrical supply must be disconnected via the installation's breaker switch before the bulb can be replaced.

You can replace the bulb by carefully lifting up the glass panel and remove it by turning it. The bulb is held in place by a spring. Remove the bulb by pulling gently to release it from the holder. Then replace the bulb and reverse previous steps.

Please note: Be careful never to touch the halogen bulb with bare fingers, as oils from skin will significantly reduce bulb life.

3.3. Inspection

The BEEM must be subjected to an annual inspection.

The user is not authorized to carry out his own inspections and repairs. Inspection of the BEEM must exclusively be carried out by qualified and authorized technicians, in accordance with Heatsail's applicable standards and regulations. "Qualified technicians" are understood to mean: qualified electricians who are familiar with the applicable electrical laws and regulations in accordance with the requirements of NFPA 70 and OSHA Regulations 29 CFR 1910.304(b)(2).

The electrical supply must be disconnected via the installation's main breaker before any work can be carried out.

All repairs must be requested via Heatsail or an authorized distributor of Heatsail products. A repair is only valid when original parts have been used.

Upon written approval by Heatsail, the entire control panel should be returned in case of a defective cable.

Heatsail will not be held responsible for damage resulting from non-compliance with the maintenance instructions.

4. Warranty conditions

4.1. Warranty

Your BEEM comes with a two-year, limited warranty. The original invoice will serve as your proof of purchase. This warranty does not affect the buyer's rights by virtue of the national legislation regarding the sale of consumer goods. This warranty is only valid if the BEEM installation and maintenance have been carried out in accordance with the applicable standards and regulations and instructions for the installation, use, cleaning and maintenance of the product, by qualified individuals who satisfy the legal requirements.

The warranty term will commence from the date the goods were delivered.

Any defective goods will be reviewed by Heatsail or an authorized Heatsail distributor. Once Heatsail has deemed a fault as a warranty situation, the Heatsail unit(s) will be brought to Heatsail or a local distributor for repair and returned in a timely manner.

Heatsail and its distributors will not award any compensation for any direct or indirect damage resulting from, or relating to, using the product.

The replaced parts will be under warranty for the remainder of the warranty period from the date the goods are delivered.

4.2. Warranty exclusions

- The conditions for activating the warranty were not met.
- The parts appear to be defective as a result of negligence or inappropriate use or incorrect maintenance.
- The installation has not been carried out in accordance with the legal standards and not in accordance with the instructions provided in the user manual.
- Any damage caused as a result of weather conditions, chemical and electrochemical reactions, improper use, natural disasters, electrical discharge, fire, a defective electrical installation, modifications or mishandling to packaging, the handle and the electrical wiring.
- Any damage caused by transport.

We recommend you thoroughly check the goods upon receipt, allowing you to immediately notify the seller of any possible damage and to record any such damage on the transport document and the courier's copy. For example:

- Physical damage after the installation, including glass breakage, scratches on the BEEM and accessories.
- Suspicious tampering with the BEEM and/or other causes which cannot be attributed to the product's manufacture.
- The use of non-original replacement parts.
- Damage caused through normal wear and tear.

4.3. What to do in the event of a fault?

In case of a fault, you must contact Heatsail or an authorized distributor immediately (and no later than two months after the fault was first identified) for a repair or replacement. The warranty can only be initiated after written permission has been granted.

Heatsail declines any form of liability for any possible damage and/or injury which has been either directly or indirectly caused to people, animals or objects as a result of non-compliance with the instructions in the user manual and which specifically concern the warnings in relation to the installation, use and maintenance of the device.

5. Applicable law – competent court

The general terms and conditions and the agreement are governed by Belgian law. The courts of the judicial district of Antwerp shall have exclusive jurisdiction to settle any dispute arising from the agreement.

6. Assembly and wiring instructions

Open the box and follow these instruction guidelines for a quick installation.

You'll find these inside for BEEM 230 or 290:

1x	BEEM	6x	glass shields
1x	user manual	2x	stems
1x	pipe cutter	2x	M4 screws
8x	ceiling anchor screws	1x	bracket
8x	universal ceiling anchors	1x	ceiling rose with control box

Included extra for BEEM 390 or 520:

2x	stems	1x	bracket
2x	M4 screws	1x	ceiling rose
8x	ceiling anchor screws	2x	glass shields
8x	universal ceiling anchors		

Requirements

To safely build your BEEM, you will need the following tools:



Protective work gloves



Stable ladder



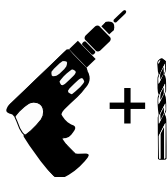
Wire stripping tool



Pipe cutter



Two strong people to help you carry



A drill
bore diameter 8mm

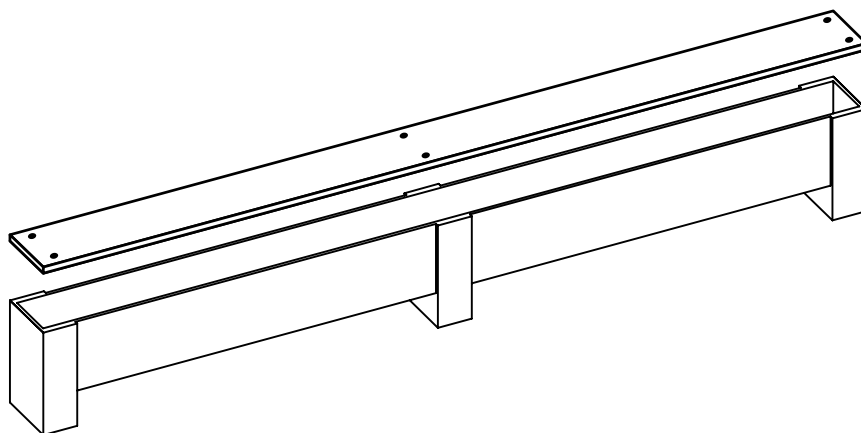


Phillips screwdriver

STEP 1

Open the box carefully.

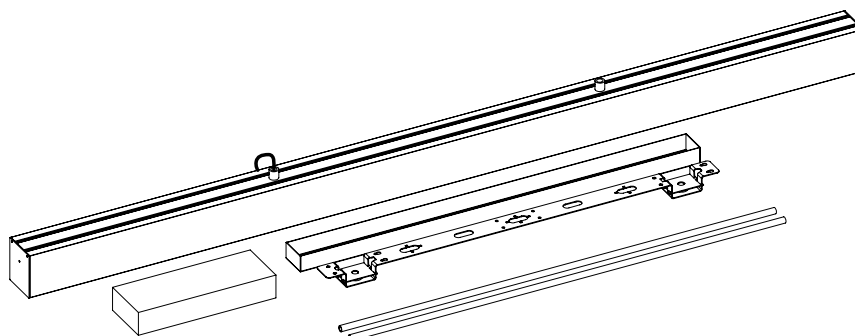
Place the box on a flat surface and carefully remove the lid.



STEP 2

Remove all parts from the box.

Never lift the BEEM by the cable.

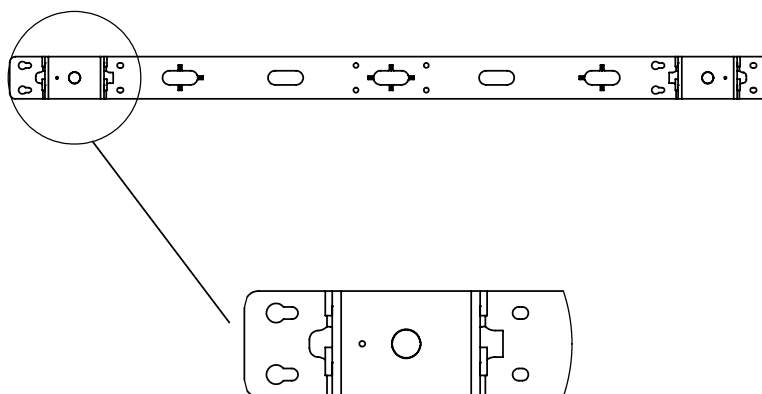


STEP 3a

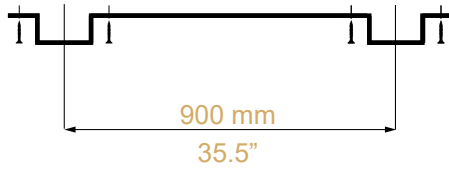
Use the bracket to draw the holes and drill the holes where the bracket has to be mounted.

8 universal anchors are included (bore diameter 8 mm).

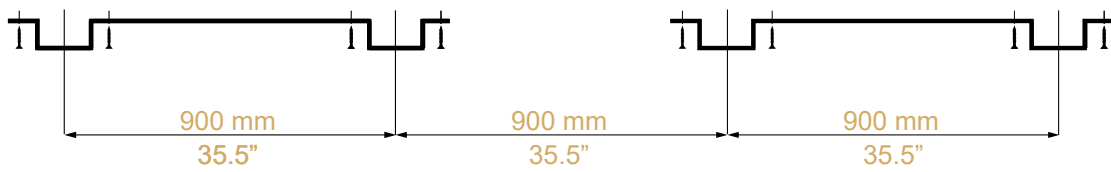
NOTE: We have provided anchors and screws. If the supplied hardware is not suitable for your mounting surface, please contact your local hardware supplier.



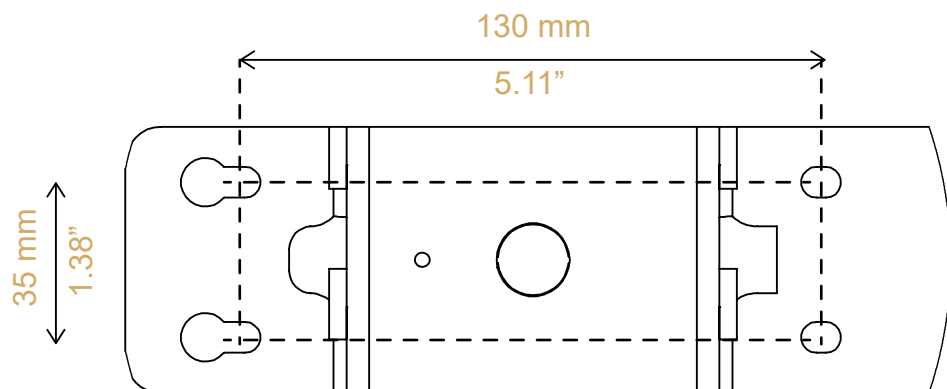
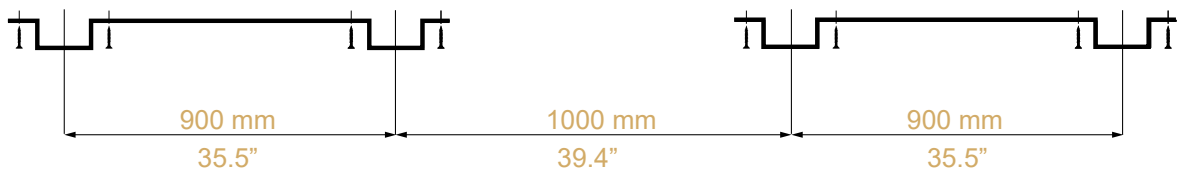
B230 - B290



B390

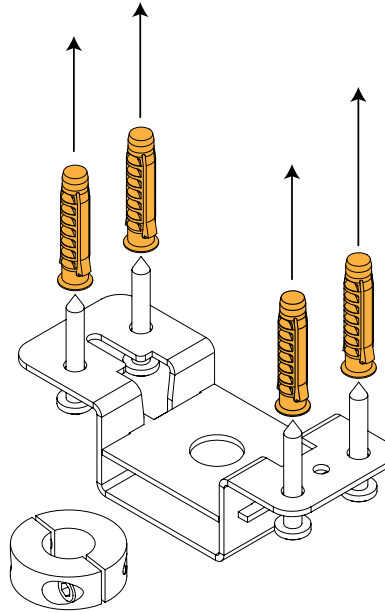


B520



STEP 3b

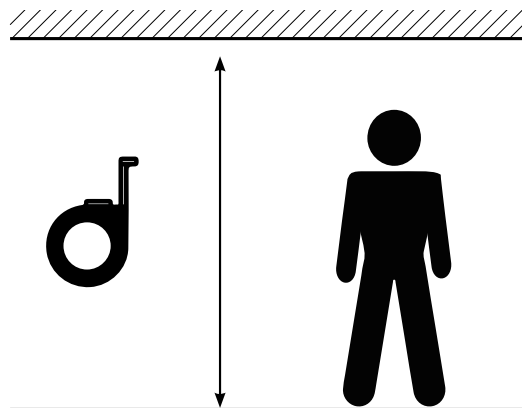
Drill eight 8mm holes using the mounting bracket as a template. Gently tap the anchors into these holes, seating them completely.



STEP 4

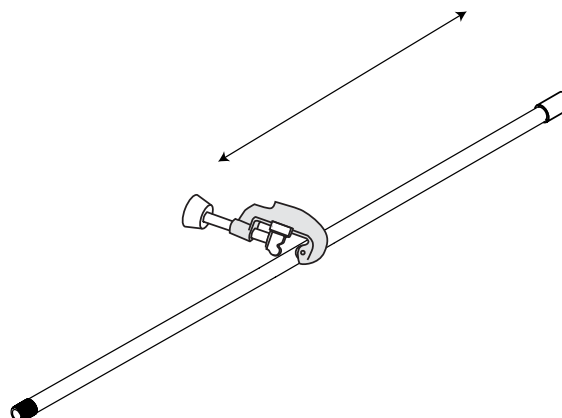
Measure the height of the ceiling.

The BEEM must hang at a minimum height of 71 inches up to 84 inches (180 cm - 215 cm). Subtract 78 inches (199 cm) from the ceiling to floor measurement to calculate the needed downrod or cable length. The BEEM hangs at 71 inches (180 cm) when this calculation is utilized.



STEP 5

Use the supplied pipe cutter to cut the rods to the correct length. Note: Ensure calculated length includes the threaded end of the downrod.

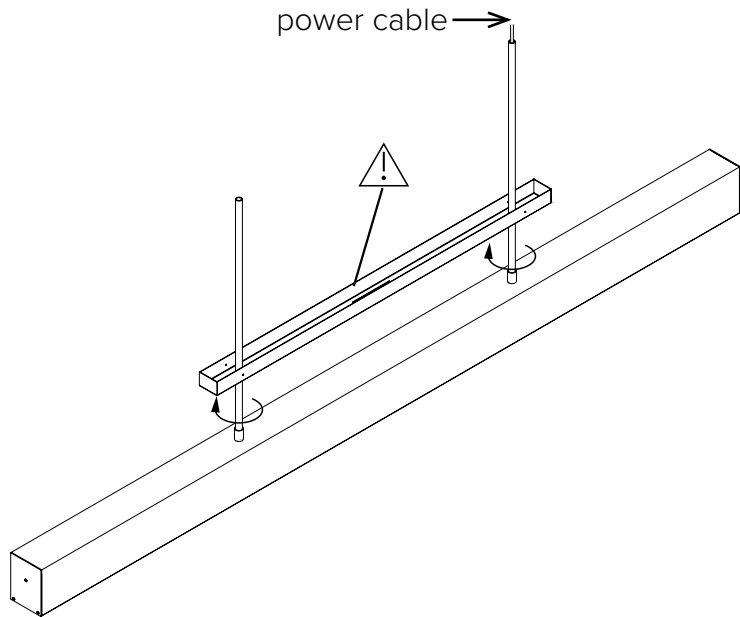


STEP 6

Install the stems onto the BEEM.

Feed the power cable through the stem and install the stems into the BEEM. Tighten them fully.

Carefully slide the ceiling rose over the stems.

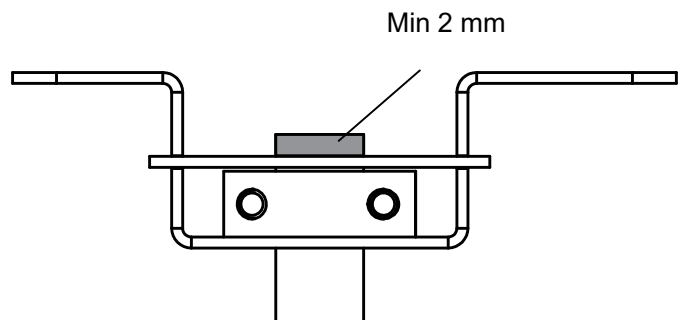


STEP 7

Slide the stems with the BEEM carefully in the two-pieced bracket.

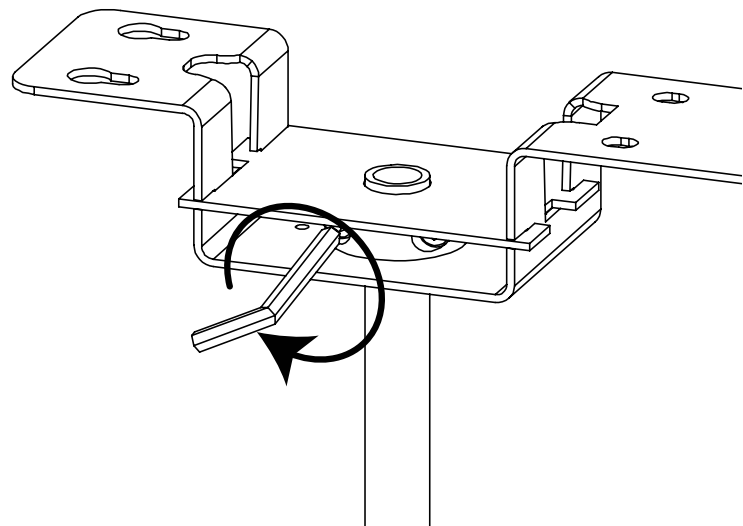
Watch out that you do not damage the cable.

Please ensure that the stems protrude about 2 mm (1 inch).



STEP 8

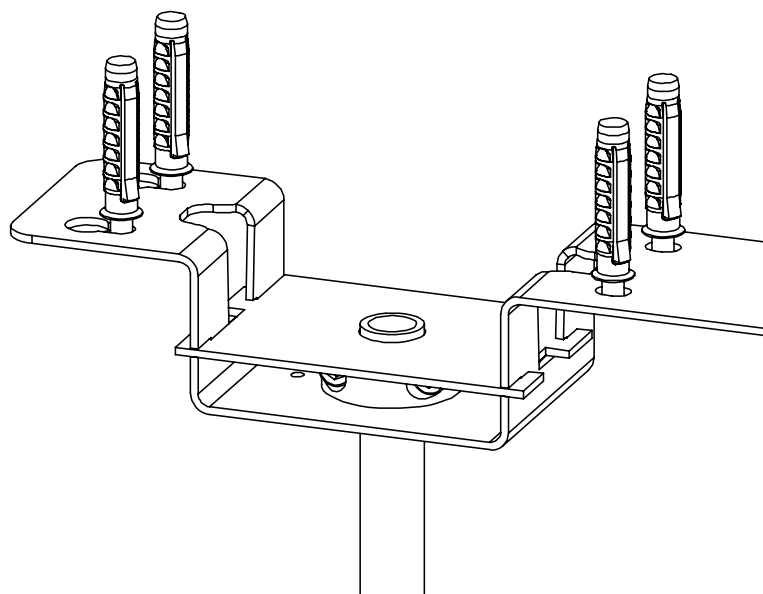
Using an Allen key, tighten both halves of the collar around the stems.



STEP 9

Mount the bracket to the ceiling.








Mount with the supplied screws to the ceiling anchors installed in Step 3b.

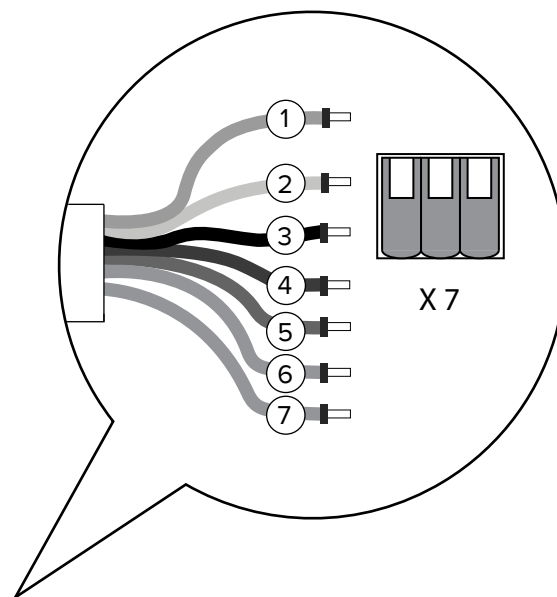


STEP 10a

Connect the wires from your BEEM.

Follow the numbering below:

- 1. HEATING 1 
- 2. HEATING 1 
- 3. HEATING 2 
- 4. HEATING 2 
- 5. LIGHTING 
- 6. LIGHTING 
- 7. GROUND 



IMPORTANT NOTICE!

Your BEEM is supplied with halogen bulbs of 40W at 120V.

It is possible to change the halogen bulbs to bulbs of 40W at 240V. Please check the electrical schematics of your BEEM on the next pages.


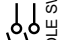
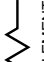


STEP 10b

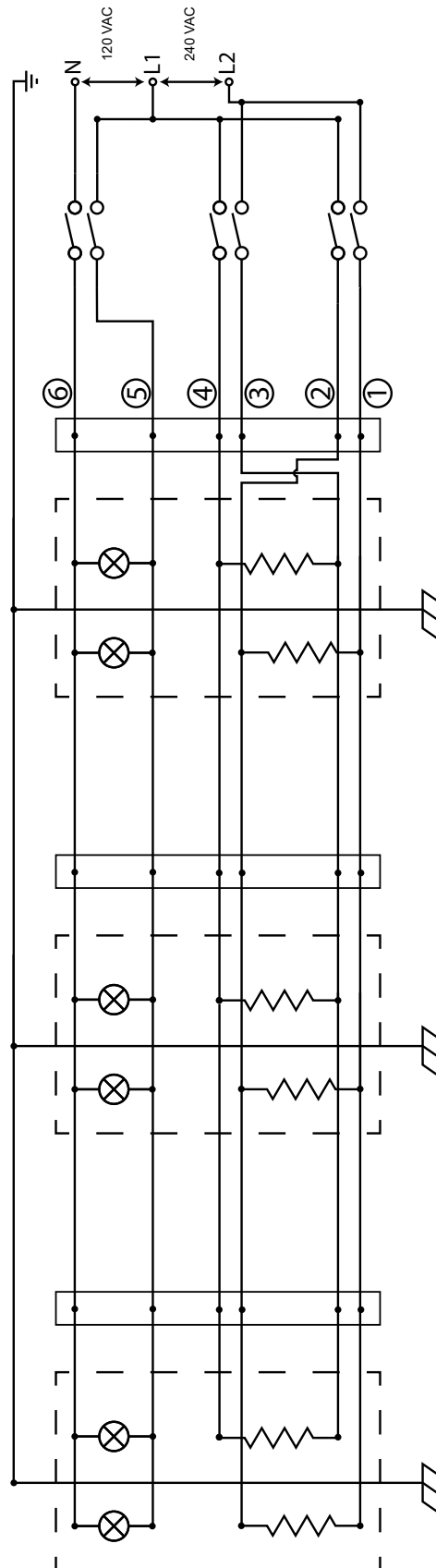
Schematics of installation of the BEEM with 3 double-pole wall switches.

LIGHTING at 110-120V

HEATING 1 at 230-240V

HEATING 2 at 230-240V

	LAMP 40W 120V
	DOUBLE-POLE SWITCH
	HEATING ELEMENTS
	GROUND
	GROUND CHASSIS



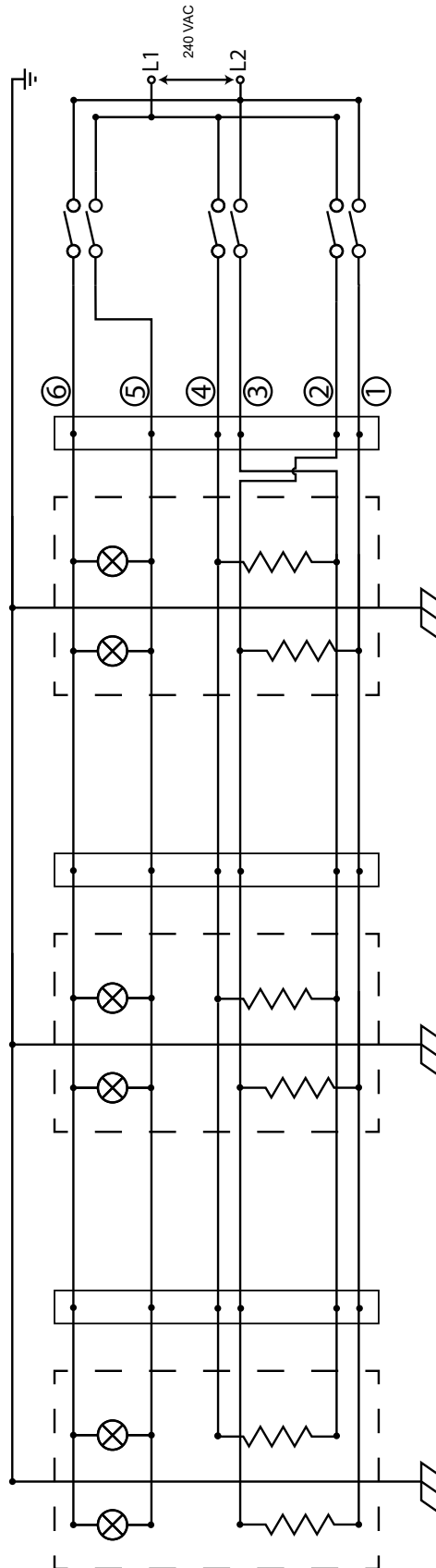
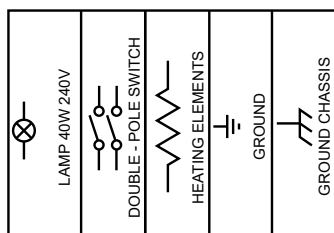
STEP 10c

Schematics of installation of the BEEM with 3 double-pole wall switches.

LIGHTING at 230-240V

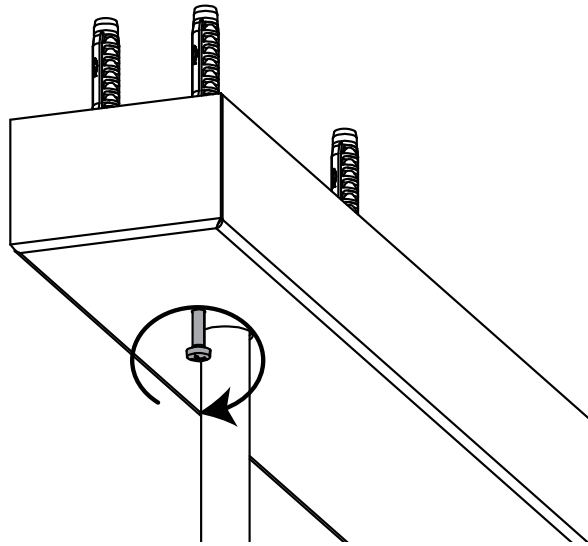
HEATING 1 at 230-240V

HEATING 2 at 230-240V



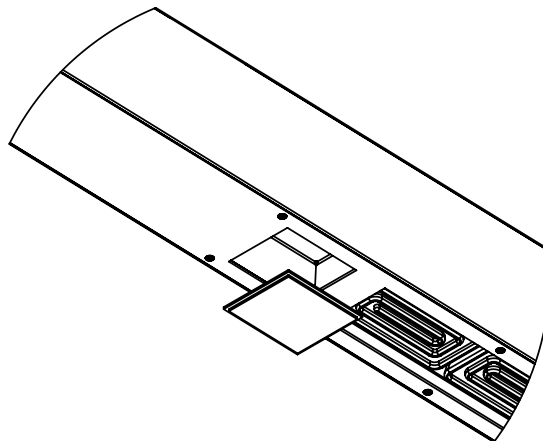
STEP 11

Slide the cover upwards and affix into place on the bracket with supplied screws.



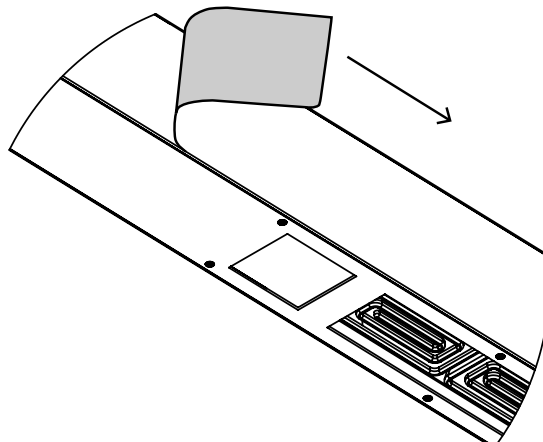
STEP 12

Install the glass shields.



STEP 13

Remove the protective film from the BEEM.



Enjoy your brand new BEEM!

7. Operation

Activate your BEEM

When you switch on the BEEM, it takes up to 30 minutes before the BEEM reaches its full temperature. When switched off, it may take up to 40 minutes before the BEEM has completely cooled down. To activate your BEEM, use the wall switches installed by your certified electrician.

8. Troubleshooting

The electrical supply must be disconnected via the installation's main breaker before any work can be carried out.

The light does not work

You can replace the bulb by carefully lifting up the glass panel and remove it by turning it. Now you have access to the halogen bulb. Verify it is well inserted and not broken. If you need to change the bulb, replace it with a standard G9 halogen bulb of 120V/ MAX40 Watt.

NOTE: Always use a cloth or gloves to replace the bulb, as touching it with bare fingers shortens the bulb life considerably.

If this does not resolve your issue, verify that the brown wires are properly inserted into the connection block (Step 10).

No heat

Check if the BEEM is switched on.

Check if wires 1 to 4 are connected properly (Step 10).

Only some elements are heating

If elements are not working, verify that wires 1 and 2 or 3 and 4 are connected properly (Step 10).

Nothing works

Verify that the circuit breaker switch is not tripped/is turned on.



BEEM® TIMELESS LIGHTING
WITH HEATING FOR YOUR GARDEN OR TERRACE



RUSTPROOF &
WEATHERPROOF



LOW ENERGY USAGE
ZERO CO2 EMISSION



MINIMUM OF
MAINTENANCE

This page is intentionally left blank

Nous vous remercions pour votre achat!

Le présent manuel d'utilisation est indissociablement lié au BEEM® et doit toujours être conservé par l'utilisateur ou par le responsable compétent.

Lisez minutieusement les consignes d'utilisation. Elles contiennent des informations essentielles sur la sécurité, l'utilisation, le nettoyage et l'entretien du BEEM. Heatsail ne peut pas être tenu responsable en cas de dommages causés à des personnes, des animaux et des objets qui seraient dus au non-respect des consignes figurant dans le manuel d'utilisation.

Heatsail se réserve le droit d'apporter, à tout moment et sans information préalable, des modifications au produit, aux caractéristiques techniques ainsi qu'au manuel d'utilisation.

Si vous revendez le BEEM, si vous le cédez à un autre utilisateur ou le laissez sur place lorsque vous déménagez, le manuel doit être laissé à disposition du nouvel utilisateur.

Nous vous souhaitons de longues soirées chaudes et agréables avec notre BEEM!

Manuel de l'utilisateur

Manuel d'utilisation, d'entretien et d'installation.

Attention

Lire attentivement le manuel avant d'utiliser l'appareil!

Ne jetez pas le manuel, il contient le numéro de série de votre appareil!

1. Consignes de sécurité électrique & conditions d'utilisation

L'utilisation du BEEM nécessite une installation électrique avec une mise à la terre correcte. La sécurité électrique de l'installation ne peut être assurée que si l'installation est correctement raccordée à un système de mise à la terre réalisé conformément aux consignes de sécurité. Un contrôle préalable est indispensable. En cas de doute, un contrôle minutieux doit être effectué par des personnes qualifiées et autorisées. Heatsail décline toute responsabilité en cas de dommages dus à une installation non reliée à la terre.

L'installation des éléments électriques du BEEM nécessite un raccordement à un réseau de 230V-50/60Hz (fusible de 16 Amp ET 30 mA sur disjoncteur pour le single BEEM et fusible de 20 Amp ET 30 mA sur disjoncteur pour le double BEEM): le raccordement doit être réalisé correctement, conformément aux normes IEC-CEI en vigueur.

Ce produit doit être installé par un électricien qualifié et la connexion de l'alimentation électrique doit être conforme aux exigences des réglementations NFPA 70 et OSHA Règlements 29 CFR 1910.304 (b) (2).

Attention: des prescriptions légales ou autres peuvent s'appliquer localement. Avant de réaliser les connexions ou d'autres travaux aux parties électriques, l'alimentation électrique doit être interrompue et il convient de s'assurer que le courant ne peut pas de nouveau être branché par accident.

Pour l'alimentation électrique du BEEM, l'utilisation d'adaptateurs, de multiprises et de rallonges n'est pas autorisée. Un interrupteur doit toujours être installé entre le BEEM et le disjoncteur. Le non-respect de ces consignes peut nuire à la sécurité de l'appareil. Heatsail ne peut pas être tenu responsable des dommages qui en découleraient.

2. Sécurité

La hauteur minimale d'espace libre du BEEM est de 180 cm, mesurée à partir du sol jusqu'au-dessous de l'élément chauffant inférieur.

Les enfants de moins de 3 ans doivent être maintenus éloignés du BEEM, sauf sous la surveillance continue d'un adulte. Le BEEM doit être maintenu hors de portée de toute personne n'étant pas à même d'évaluer les dangers qui peuvent survenir par une utilisation d'appareils électriques incorrect.

Ne pas utiliser le BEEM dans des petites pièces occupées par des personnes incapables de quitter la chambre seules, sauf si une surveillance constante est fournie.

ATTENTION - La chaleur émise par l'appareil peut atteindre des températures très élevées, ce qui entraîne un risque de brûlures. Il ne faut en aucun cas toucher le BEEM dès sa mise sous tension.

Une attention toute particulière est nécessaire en présence d'enfants et de personnes vulnérables.

Après l'arrêt, le BEEM reste chaud une durée relativement longue. Ne touchez pas le BEEM pendant une période de 40 minutes suivant l'arrêt. Attention la prudence reste de mise.

Ne jamais utiliser le BEEM lorsque la vitre est endommagée.

Ne pas utiliser le BEEM avec un minuteur ou un quelconque autre appareil qui permet de mettre l'appareil en route automatiquement, étant donné le risque d'incendie qui existe lorsque le BEEM est mal positionné.

N'utilisez jamais le BEEM à proximité immédiate d'un bain, d'un jacuzzi, d'une douche, d'une piscine ou d'une serre.

Pour réduire les risques d'incendie, maintenez une distance minimale de 100 cm entre le BEEM et les textiles, les rideaux et tout autre matériau inflammable. Ne le recouvrez jamais sans l'avoir préalablement débranché!

Il est interdit de toucher le BEEM avec des parties du corps nues, mouillées ou humides.

Le BEEM est composé de 6 (BEEM 230 et BEEM 290) ou 8 (BEEM 390 et BEEM 520) éléments chauffants rayonnants en céramique, montés dans un sens déterminé sur une plaque réfléchissante. Dès que les éléments céramiques commencent à chauffer, la température de service est atteinte dans un délai de 30 minutes.

Attention: aucune lueur n'est visible dans la zone infrarouge.

N'utilisez jamais le BEEM pour allumer quoi que ce soit. Les éléments en céramique sont fragiles et doivent être traités avec la prudence nécessaire. Cela vaut également pour le verre.

Assurez-vous que le BEEM soit toujours installé sous un abri.

L'utilisation du BEEM n'est pas autorisée dans les serres ni sur les chantiers de construction.



Maintenez toujours le BEEM à l'abri de la neige.

Heatsail décline toute responsabilité en cas de dommages dus au non-respect des consignes relatives à l'utilisation et à l'entretien.

3. Entretien

3.1. Nettoyage

Nettoyage mensuel de votre BEEM.

Avant de le nettoyer, l'appareil doit être débranché du disjoncteur de l'installation. L'appareil peut uniquement être nettoyé avec un chiffon doux et sec. N'utilisez pas de chiffons abrasifs. N'utilisez pas de détergent. Il est interdit d'utiliser un nettoyeur haute pression et/ou à vapeur. Le nettoyage ne peut être effectué que lorsque le BEEM a entièrement refroidi.

Le non-respect de ces consignes peut nuire à la sécurité de l'appareil. Heatsail décline toute responsabilité en cas de dommages dus au non-respect des consignes relatives au nettoyage.

3.2. Remplacement de l'ampoule

Votre BEEM est livré en standard avec 6 (BEEM 230 et BEEM 290) ou 8 (BEEM 390 et BEEM 520) l'ampoule halogène G9 de 120V max 40 Watt . La puissance maximale autorisée est de 240 Watt.

Avant de remplacer cette ampoule, l'appareil doit être débranché du disjoncteur principal de l'installation.

Vous pouvez remplacer l'ampoule en glissant prudemment le verre vers le haut. Tournez le verre pour l'enlever. L'ampoule est maintenue en place dans son support par un petit ressort. Retirez l'ampoule en tirant doucement pour la dégager du support. Remplacez-la par une nouvelle.

Attention: Ne jamais toucher l'ampoule à mains nues, car cela réduit considérablement la durée de vie de l'ampoule.

3.3. Inspection

Le BEEM doit être soumis à une inspection annuelle.

L'utilisateur n'est pas autorisé à effectuer lui-même l'inspection ou des réparations. L'inspection du BEEM doit être effectuée exclusivement par des personnes qualifiées et autorisées, conformément aux normes en vigueur et aux consignes de Heatsail. Par personnes qualifiées, on entend: des personnes qui ont reçu une formation technique pour l'installation de chauffages extérieurs et qui sont familiarisées avec les lois applicables en matière d'électricité.

Avant d'effectuer des travaux au BEEM, l'appareil doit être débranché du disjoncteur principal de l'installation.

Toute réparation doit être demandée par le biais de Heatsail. Une réparation ne sera valable que si des pièces d'origine sont utilisées.

En cas de câble défectueux, veuillez renvoyer tout le système de commande après autorisation écrite de Heatsail.

Heatsail décline toute responsabilité en cas de dommages dus au non-respect des consignes relatives à l'entretien.

4. Conditions de garantie

4.1. Garantie

La facture originale vaut comme preuve de garantie pour la garantie légale de 2 ans. Cette garantie n'annule pas les droits dont bénéficie l'acheteur en vertu de la législation nationale en matière de vente de biens de consommation. Cette garantie est uniquement valable si l'installation et l'entretien du BEEM sont réalisés conformément aux normes et directives en vigueur ainsi qu'au manuel d'installation, d'utilisation, d'entretien et de nettoyage du produit réalisés par des personnes qualifiées répondant aux exigences légales.

Le délai de garantie débute à la date de livraison des marchandises.

En principe, le remplacement ou la réparation sont gratuits, les frais d'expédition étant à la charge de l'acheteur, sauf s'il en a été convenu autrement. Les marchandises défectueuses seront renvoyées par l'acheteur, après accord écrit de Heatsail, à ce dernier. Heatsail ne verse pas de dédommagement pour des dommages directs ou indirects causés par ou en rapport avec l'utilisation du produit.

Aucune indemnisation ne sera versée pour la période pendant laquelle le produit ne fonctionne pas.

Les pièces remplacées seront garanties pour la période de garantie restante à partir de la date de livraison de la marchandise.

4.2. Exclusions de garantie

- Les conditions d'activation de la garantie n'ont pas été respectées.
- Les pièces semblent défectueuses suite à un manque de soin ou une négligence dans l'utilisation ou un mauvais entretien.
- L'installation n'est pas conforme aux normes légales ni aux consignes figurant dans le manuel d'utilisation.
- Les dommages causés par les conditions météorologiques, une action chimique ou électrochimique, une mauvaise utilisation, des catastrophes naturelles, une décharge électrique, un incendie, une installation électrique défectueuse, des modifications ou des dommages causés aux garnitures, à la poignée ou au câblage électrique.
- Tous les dommages dus au transport.

C'est pourquoi nous vous recommandons de vérifier minutieusement les produits à la réception afin de signaler immédiatement tout dommage au vendeur et de l'indiquer sur le document de transport et sur la copie pour le transporteur. Comme notamment:

- Des dommages physiques après l'installation, comme un bris de verre, des rayures, etc. présents sur le BEEM et les accessoires.
- Les bricolages réalisés sur le BEEM et/ou autres causes qui ne seraient pas dues à la fabrication du produit.
- L'utilisation de pièces de rechange qui ne sont pas d'origine.
- Les dommages dus à une usure normale.

4.3. Que faire en cas de dysfonctionnement?

En cas de panne, vous devez vous adresser immédiatement, et dans tous les cas dans les deux mois qui suivent, à Heatsail en vue d'une réparation ou d'un remplacement. La garantie ne pourra être activée qu'après autorisation écrite.

Heatsail décline toute forme de responsabilité pour d'éventuels dommages qui seraient causés directement ou indirectement à des personnes, des animaux ou des objets suite au non-respect des consignes figurant dans le manuel d'utilisation et surtout les avertissements concernant l'installation, l'utilisation et l'entretien de l'appareil.

5. Droit applicable

Les conditions générales et le contrat sont régis par le droit belge. Seuls les tribunaux de l'arrondissement judiciaire d'Anvers sont compétents pour prendre connaissance de tout différend découlant du contrat.

6. Installation illustrée et schémas de connexion

Ouvrez la boîte et suivez ces instructions pour une installation rapide.

Vous trouverez ceci à l'intérieur pour le BEEM 230 of 290:

1x	BEEM	6x	verres
1x	mode d'emploi	2x	tiges
1x	coupe-tube	2x	M4 vis
8x	chevilles et vis	1x	support
1x	rosace de plafond avec commande		

Supplément inclus pour BEEM 390 ou 520:

2x	tiges	1x	support
2x	M4 vis	1x	rosace de plafond
8x	chevilles et vis	2x	verres

Exigences

Pour monter en toute sécurité votre BEEM, vous aurez besoin des outils suivants:



Gants de protection



Échelle stable



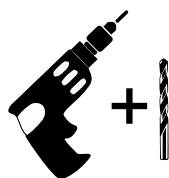
Pince à dénuder



Coupe-tube



Deux personnes fortes pour vous aider à porter



Machine de forage
8mm

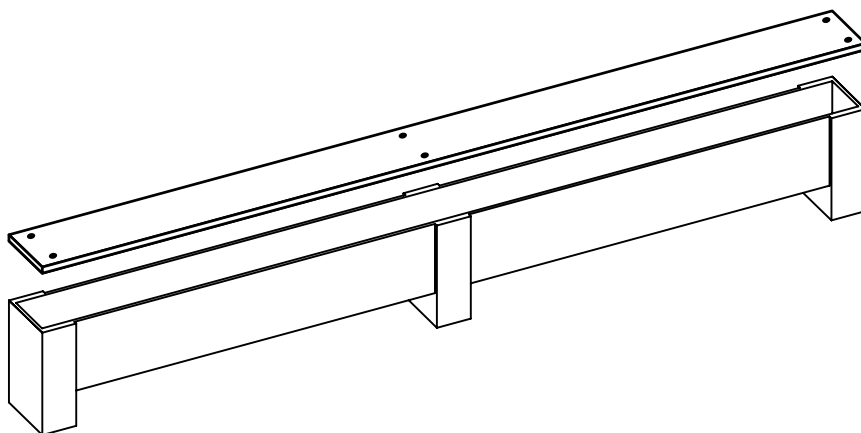


Tournevis cruciforme

ÉTAPE 1

Ouvrez prudemment la caisse.

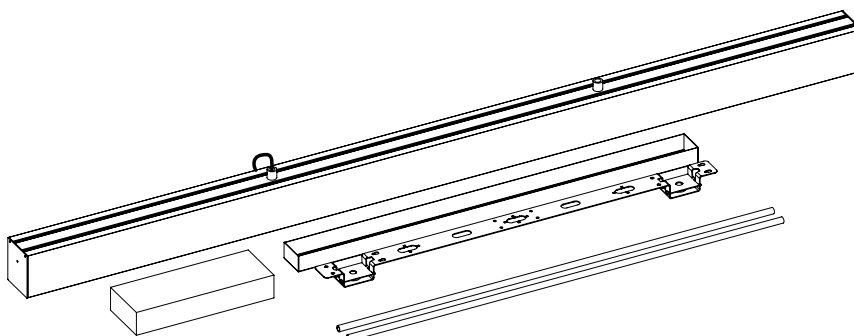
Pour ce faire, il convient de poser la caisse sur une surface plane et d'ouvrir délicatement le couvercle.



ÉTAPE 2

Retirez toutes les pièces de la caisse.

Ne soulevez jamais le BEEM par le câble.

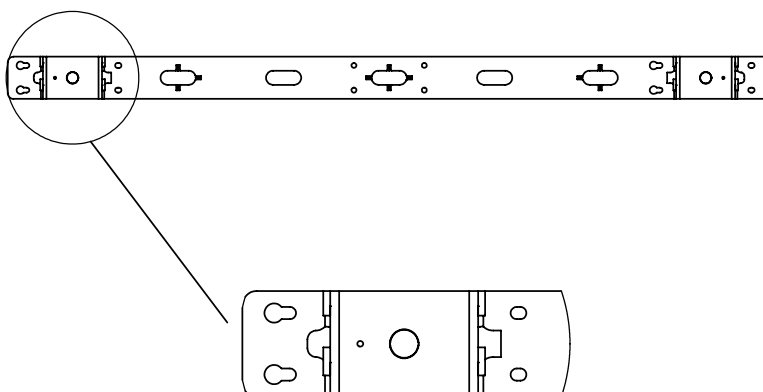


ÉTAPE 3a

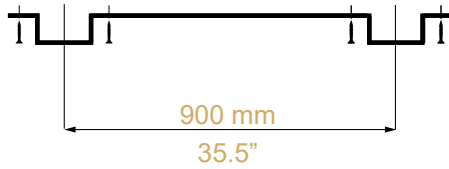
Utilisez le support pour dessiner et percer des trous où les supports doivent être fixés.

8 chevilles universelles sont fournies (diamètre de la mèche: 8mm).

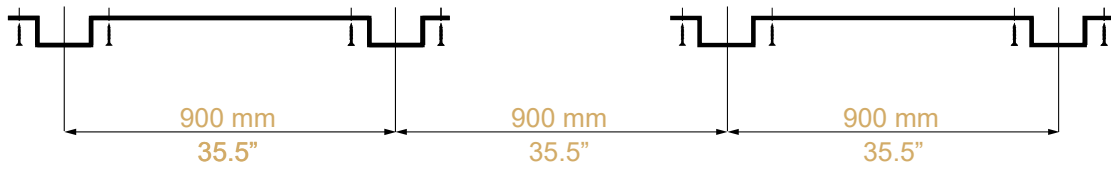
Si ces chevilles ne conviennent pas à votre surface, recherchez la bonne vis de plancher dans votre quincaillerie locale.



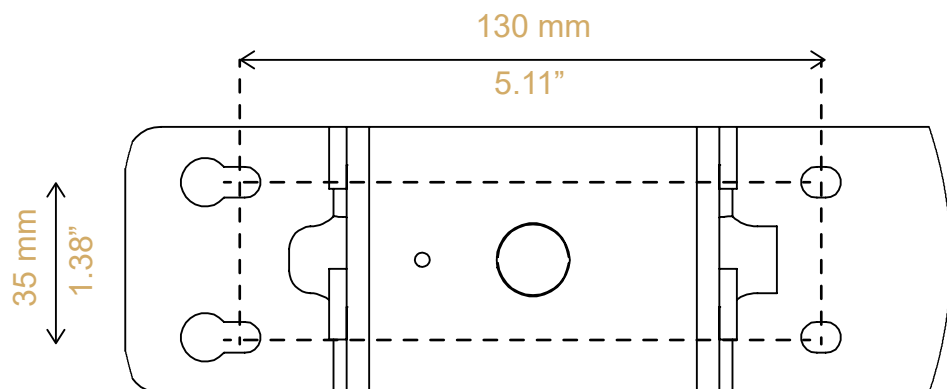
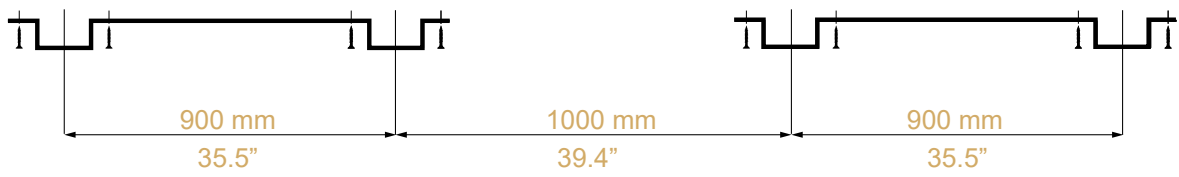
B230 - B290



B390

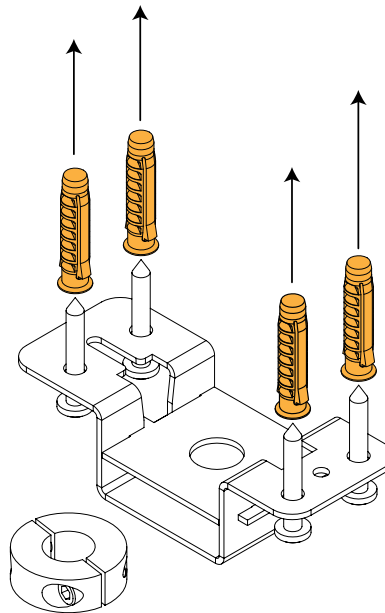


B520



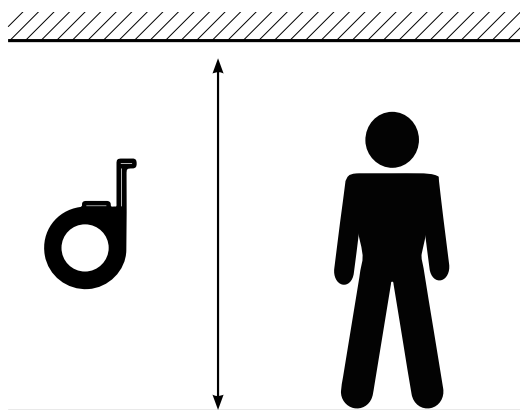
ÉTAPE 3 b

Insérez les chevilles.

**ÉTAPE 4**

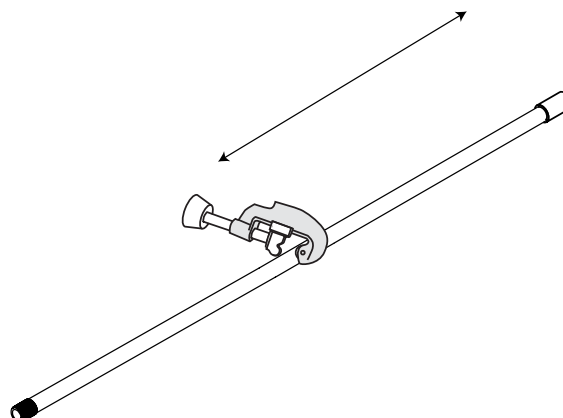
Mesurez la hauteur sous plafond.

Le BEEM doit être suspendu à une hauteur minimale de 180 cm (jusqu'à 215 cm) à partir du sol. Retirez 199 cm de la hauteur mesurée à partir du sol pour que le BEEM soit suspendu à 180 cm.

**ÉTAPE 5**

Utilisez le coupe-tube inclus pour couper les tiges à la bonne longueur.

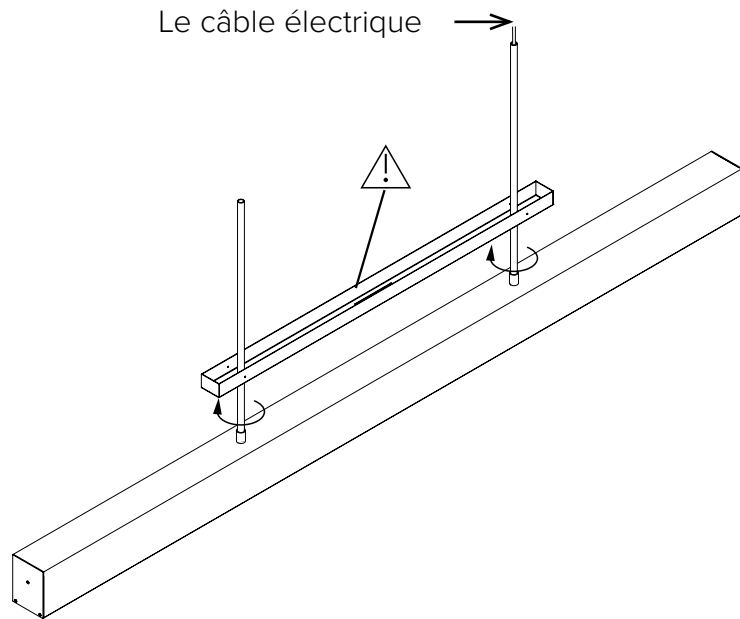
Note: Assurez que le longueur inclus la tige fileté.



ÉTAPE 6**Tournez les tiges sur le BEEM.**

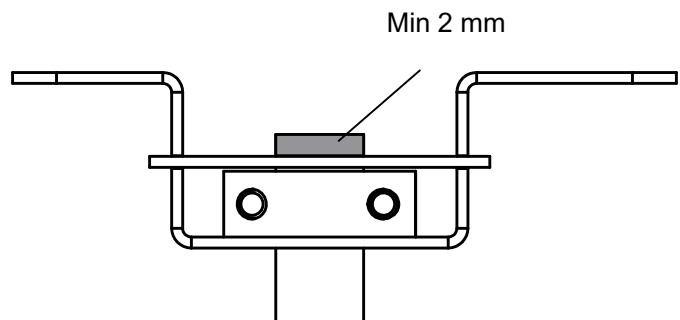
Faites passer le câble électrique à travers la tige et installez les tiges dans le BEEM. Serrez aussi fort que possible.

N'oubliez pas de glisser la rosace de plafond prudemment sur les tiges.

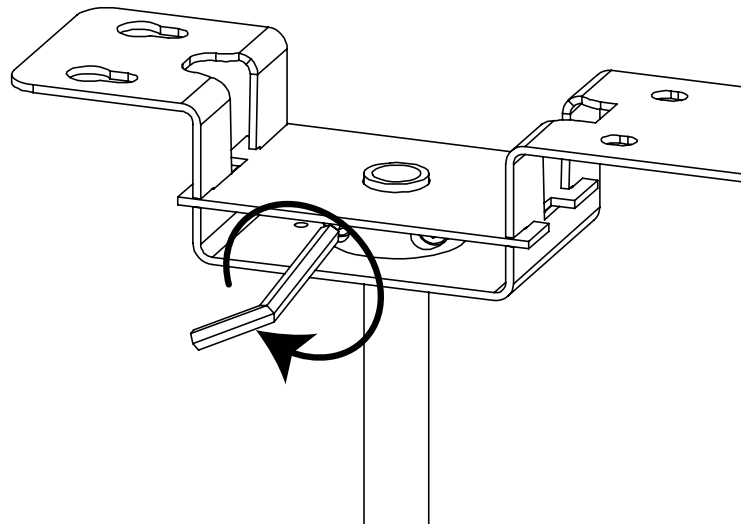
**ÉTAPE 7****Faites glisser prudemment la tige avec le BEEM dans le support.**

Assurez-vous que le câble n'est pas endommagé.

Assurer que les tiges sont extrudées de 2 mm (1 inch).

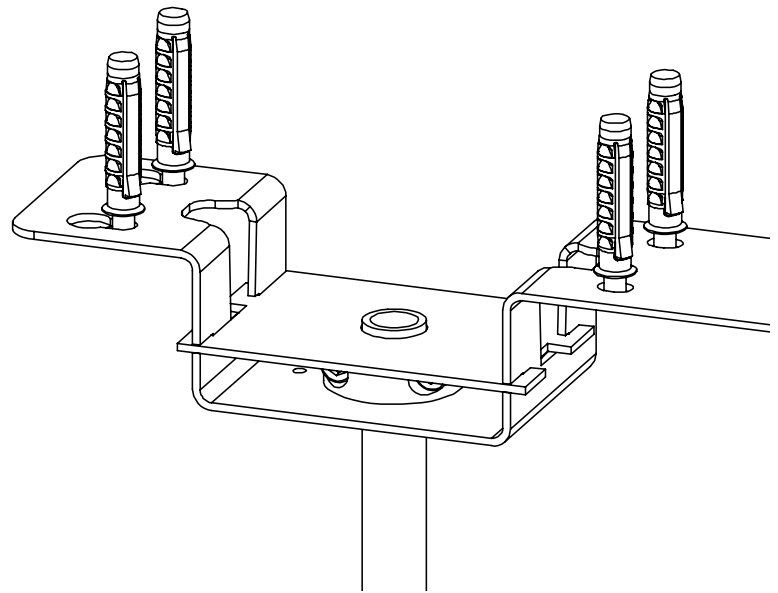
**ÉTAPE 8**

À l'aide d'une clé Allen, serrez les deux moitiés du collier autour des tiges.










ÉTAPE 9

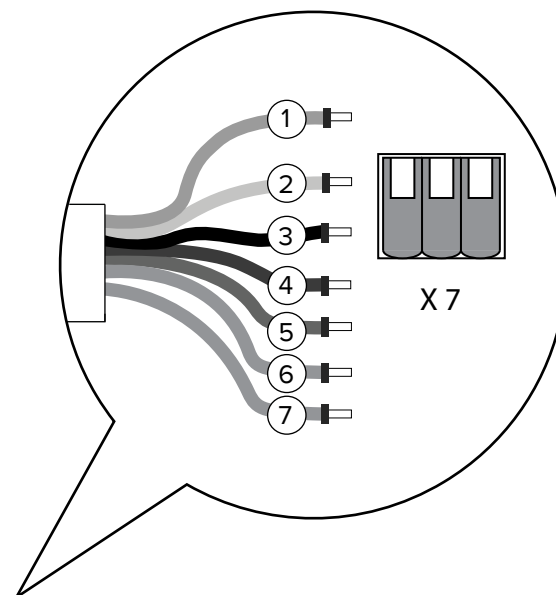
Montez le support au plafond.

**ÉTAPE 10a**

Branchez le câble électrique
du votre BEEM.

Suivez la numérotation ci-
dessous:

- 1. HEATING 1 
- 2. HEATING 1 
- 3. HEATING 2 
- 4. HEATING 2 
- 5. LIGHTING 
- 6. LIGHTING 
- 7. GROUND 

**AVIS IMPORTANT**

Vorte BEEM est livré en standard avec des ampoules halogènes de 40W à 120V.

Il est possible de changer les ampoules halogènes en les ampoules de 40W à 240V, veuillez
consulter les schémas électriques de votre BEEM sur les pages suivantes.



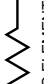


ÉTAPE 10b

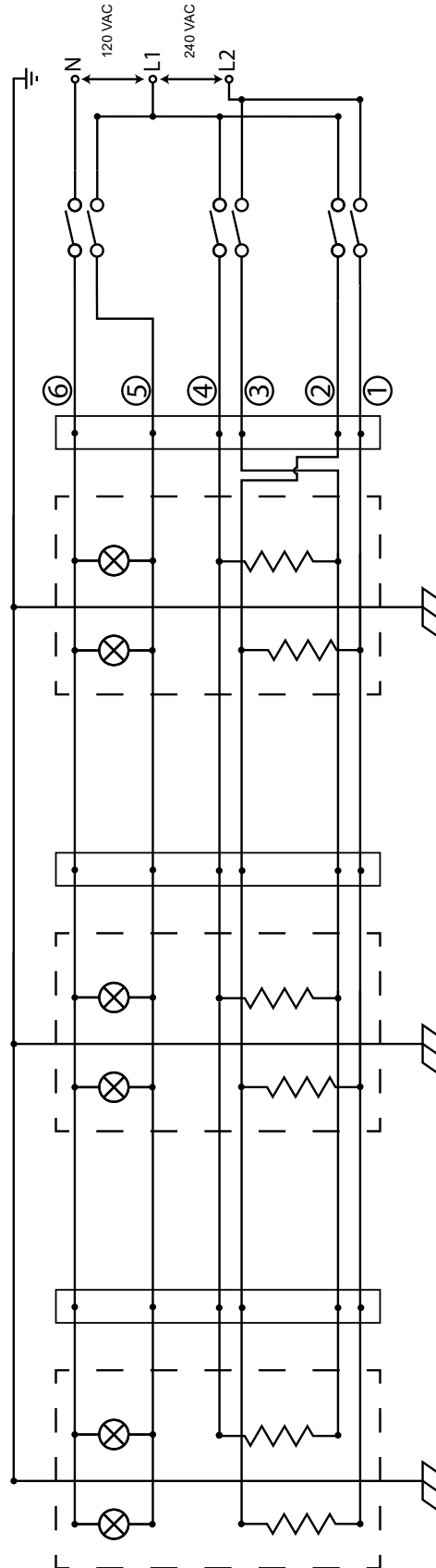
Schémas d'installation du BEEM avec 3 interrupteurs muraux bipolaires.

ÉCLAIRAGE à 110-120V

CHALEUR 1 à 230-240V

CHALEUR 2 à 230-240V

	LAMP 40W 120V
	DOUBLE-POLE SWITCH
	HEATING ELEMENTS
	GROUND
	GROUND CHASSIS



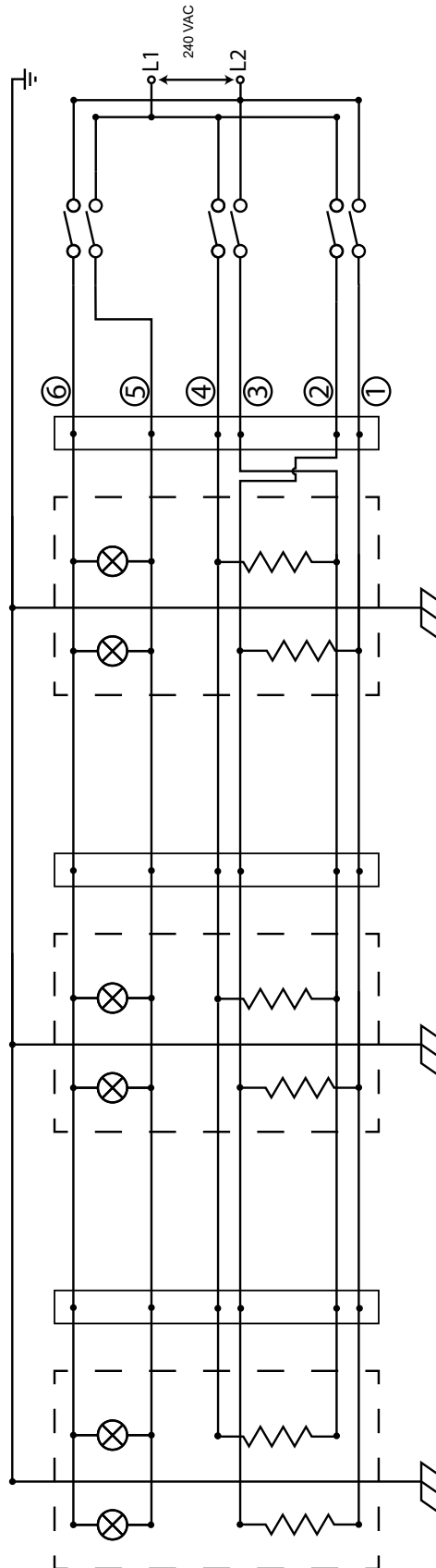
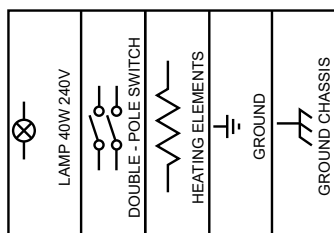
ÉTAPE 10c

Schémas d'installation du BEEM avec 3 interrupteurs muraux bipolaires.

ÉCLAIRAGE à 230-240V

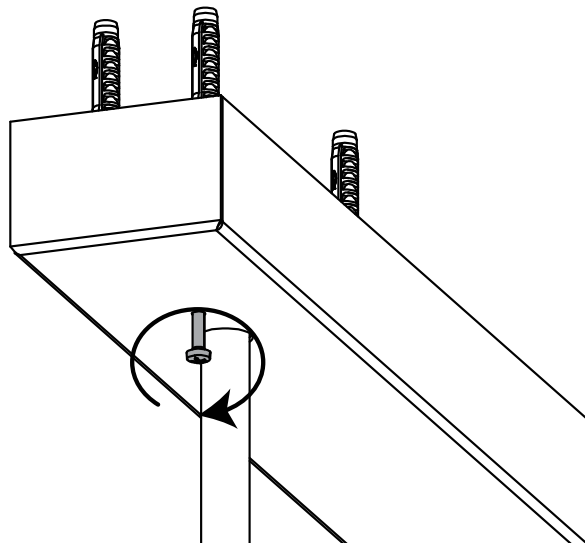
CHALEUR 1 à 230-240V

CHALEUR 2 à 230-240V



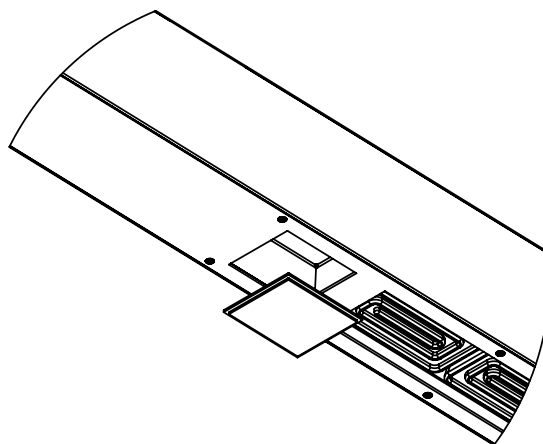
ÉTAPE 11

Faites glisser la rosace de plafond vers le haut et fixez-la sur le support avec les vis.



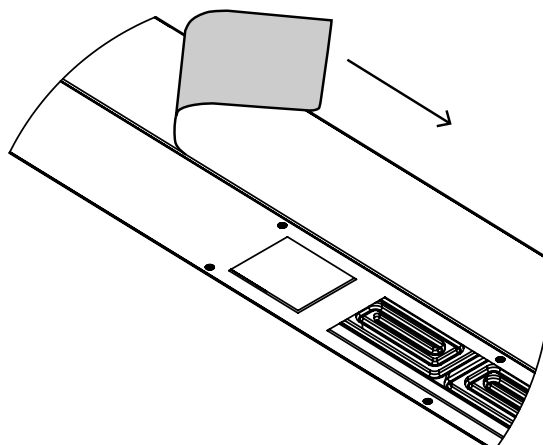
ÉTAPE 12

Placez les verres.



ÉTAPE 13

Retirez le film protecteur du BEEM.



Profitez de votre tout nouveau BEEM!

7. Opération

Activez votre BEEM

Après avoir mis le BEEM sous tension, il faut compter environ 30 minutes avant qu'il atteigne sa température maximale. De même, lorsque vous l'éteignez, il met près de 40 minutes avant qu'il ne soit entièrement refroidi. Activer votre BEEM utilise les interrupteurs muraux installés par votre électricien agréé.

8. Dépannage

Avant d'effectuer des travaux au BEEM, l'appareil doit être débranché du disjoncteur principal de l'installation.

L'éclairage ne fonctionne pas

Soulevez la lame en verre, tournez et enlevez-la. Maintenant, vous avez accès à l'ampoule halogène. Vérifiez qu'elle soit bien insérée et pas cassée. Si vous avez besoin de changer l'ampoule, remplacez-la par une ampoule G9 standard de 120V/ MAX 40 Watt.

Attention: Utilisez un chiffon ou des gants pour remplacer l'ampoule, la toucher avec les mains raccourcit considérablement sa durée de vie.

Vérifiez que les fils numero 5 et 6 soient correctement insérés (Étape 10).

Le chauffage ne fonctionne pas

Vérifiez si le BEEM est allumé.

Vérifiez que les fils numero 1, 2, 3 et 4 soient correctement insérés (Étape 10).

Le chauffage ne fonctionne que partiellement

Soit 3 éléments latéraux, soit 2 éléments latéraux et l'élément inférieur. Vérifiez que les fils numero 1, 2, 3 et 4 soient correctement insérés (Étape 10).

Rien ne fonctionne

Vérifiez que tous les fils soient correctement insérés dans le bloc de connexion. (Étape 9 ou 16)

Vérifiez que le brancher principal s'est déclenché. Vérifiez que le fusible soit allumé, fermez la commande et réessayez.



ÉCLAIRAGE INTEMPOREL BEEM®
AVEC CHAUFFAGE POUR VOTRE JARDIN OU TERRASSE



ANTIROUILLE ET
ÉTANCHE



FAIBLE CONSOMMATION D'ÉNER-
GIE
ZÉRO ÉMISSION DE CO2



ENTRETIEN
MINIMUM

This page is intentionally left blank



HEATSAIL

EXTEND YOUR GREAT MOMENTS

Corporate Headquarters

HEATSAIL NV

Prins Boudewijnlaan 7 Unit A 08
2550 Kontich
Belgium

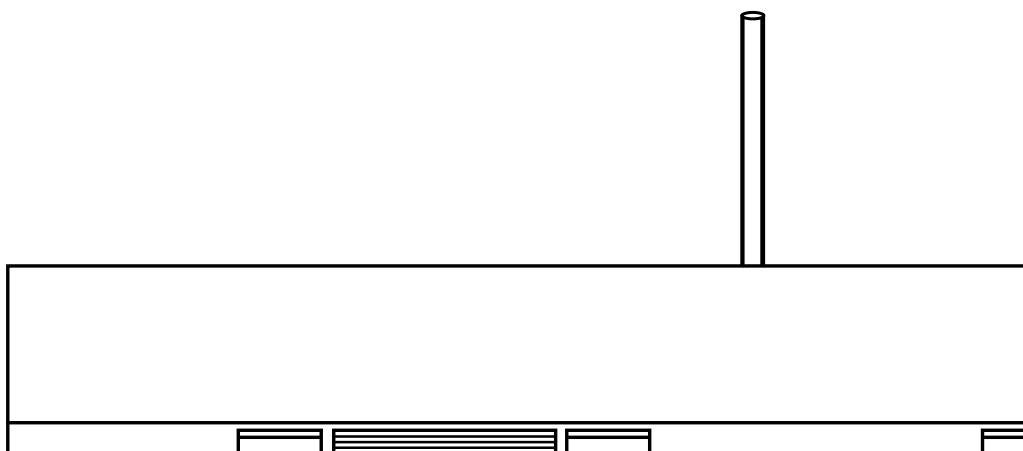
+32 3 502 99 88
info@heatsail.com
www.heatsail.com

US Office

HEATSAIL USA Inc.

10440 N Central Expressway
Dallas, Texas 75231
United States

sales@heatsail.com
www.heatsail.com



SERIAL NUMBER