



HEATSAIL

EXTEND YOUR GREAT MOMENTS



DISC[®] CANTILEVER MANUAL

For the most recent version of this manual, check our website.
Do not discard this manual, as it contains your device's serial number.

SUMMER
NIGHTS
SHOULD LAST
FOREVER

EN	1. Electrical safety procedures & requirements	6
	2. Operational safety	7
	3. Maintenance	8
	4. Warranty conditions	10
	5. Applicable law – competent court	11
	6. Assembly and wiring instructions	12
	7. Operation	26
	8. Troubleshooting	27
FR	1. Consignes de sécurité électrique & conditions d'utilisation	34
	2. Sécurité	35
	3. Entretien	36
	4. Conditions de garantie	38
	5. Droit applicable	39
	6. Installation visuelle et schémas de connexion	40
	7. Opération	54
	8. Dépannage	55

Thank you for your purchase!

This user manual is necessary for the operation of the DISC® and must always be kept by the user or by another authorized responsible person.

Please read through this user manual carefully. It contains essential information regarding the safety, operation, cleaning and maintenance of the DISC. Heatsail will not be held responsible for injury and/or damage to people, animals and subjects resulting from noncompliance with the instructions in this user manual.

Heatsail reserves the right to make changes to the product, the technical features and the user manual at any time and without the need for prior notice.

If you decide to sell the DISC, transfer it to another user or leave it behind when moving, this manual must be made available to the new user.

We would like to wish you plenty of warm and pleasant evenings with our DISC!

The HEATSAIL team

User manual

Operating, maintenance and installation guide.

Attention

Please read through these instructions carefully before using your DISC.

Do not discard this manual, as it contains your device's serial number.

1. Electrical safety procedures & requirements

The use of the DISC requires an electrical installation with reliable safety grounding. The installation's electrical safety can only be guaranteed if the device has been correctly connected to a grounding (earthing) system built in accordance with the safety instructions. A preliminary inspection is absolutely essential. In the event of any uncertainty, a careful inspection must be made by a qualified and authorized technician. Heatsail will not be held responsible for injury and/or damage resulting from an ungrounded installation.

The installation of the DISC's electrical components requires a main connection of 240V-50/60Hz (16 amp fuse and appropriate RCD); the connection must be properly implemented in accordance with the applicable IEC-CEI standards.

Please note: This product must be installed by a licensed electrician and the power supply connection should be in accordance with the requirements of NFPA 70 and OSHA Regulations 29 CFR 1910.304(b)(2). Statutory and other local regulations may apply.

Before carrying out any maintenance or other work, the power supply must be disconnected by a licensed electrician. Use Lock-out/Tagout procedures to ensure that the power can't be switched on again accidentally.

Adapters, power strips and extension cords may not be used for the DISC's electrical supply. A switch must be installed between the DISC and the fuse box at all times. Noncompliance with these instructions may compromise the safety of the device. Heatsail will not be held liable for any damage resulting from these issues.

2. Operational safety

A minimum clear height of 71 inches (1.80 meters) must be observed for the DISC, measured between the ground and bottom of the lowest heating element at the time of installation.

Children near the product must be under adult supervision when it's in use. This product is not intended to be operated by children, to be played with or to be played on. The DISC must be kept out of reach of anyone incapable of assessing the risks that can arise from the (improper) use of electrical equipment.

Do not use the DISC in small rooms when occupied by persons not capable of leaving the room on their own, unless constant supervision is provided.

CAUTION: The DISC can create extremely high temperatures and can cause burns. The DISC should never be touched once it has been switched on.

Particular attention should be paid when children and vulnerable persons are present.

The DISC will remain hot for a considerable period of time after it has been switched off. Do not touch the DISC for a period of 40 minutes after it has been switched off. Caution should be exercised at all times.

The grill does not offer protection against the heat.

The DISC must never be used when the glass is damaged.

The DISC may not be used with a timer or any device that can automatically switch on the heating, as there is a risk of fire if the DISC has been incorrectly positioned or if items have been placed within the minimum safe operating distance.

Never use the DISC in the immediate vicinity of a bath, jacuzzi, shower or swimming pool.

To reduce the risk of fire, keep textiles, curtains and any other flammable material a minimum distance of 40 inches (1 meter) from the DISC.

Never cover your DISC without disconnecting power to the unit!

The DISC must never be touched with bare, wet or damp body parts.

The DISC is constructed of six high-radiance ceramic heating elements mounted on a reflective plate. The full operating temperature will be reached within 30 minutes.

Please note: There is no noticeable glow in the infrared area.

Never use the DISC to light anything. The ceramic elements are fragile and must be handled with care. The same also applies to the glass casing.

- * **Always ensure that the DISC is anchored on a flat surface before use.**
- Always keep the DISC free of snow.**
- The DISC is not allowed for use in greenhouses or building sites.**

Heatsail will not be held responsible for damage resulting from noncompliance with the instructions regarding use and maintenance.

3. Maintenance

3.1. Cleaning

Your DISC must be cleaned on a monthly basis.

The electrical supply must be disconnected via the installation's breaker switch and by disconnecting the wiring before cleaning activities can commence. Cleaning may only be done with a soft, dry cloth. Do not use any abrasive cloths. Do not use detergents. Using a high-pressure and/or steam cleaner is prohibited. Cleaning is only permitted once the DISC has completely cooled down.

Noncompliance with these rules may compromise the safety of the device. Heatsail will not be held responsible for damage resulting from noncompliance with the cleaning instructions.

3.2. Replacing the bulb

Your DISC is supplied with an R7S 240V/120 watt (78mm) halogen bulb as standard. The maximum permitted output power of the bulb is 120 watts.

The electrical supply must be disconnected via the installation's breaker switch before the bulb can be replaced.

You can replace the bulb by removing the 2 half rings and pulling the glass of the DISC downwards. The bulb is held in place by a spring. Remove the bulb by first pushing it to the left or right and thereby releasing it from its socket. Then replace the bulb and reverse previous steps.

Please note: Be careful never to touch the halogen bulb with bare fingers, as oils from skin will significantly reduce bulb life.

3.3. Inspection

The DISC must be subjected to an annual inspection.

The user is not authorized to carry out his own inspections and repairs. Inspection of the DISC must exclusively be carried out by qualified and authorized technicians, in accordance with Heatsail's applicable standards and regulations. "Qualified technicians" are understood to mean: qualified electricians who are familiar with the applicable electrical laws and regulations in accordance with the requirements of NFPA 70 and OSHA Regulations 29 CFR 1910.304(b)(2).

The electrical supply must be disconnected via the installation's main breaker or by disconnecting the plug before any work can be carried out.

All repairs must be requested via an authorized distributor of Heatsail products. A repair is only valid when original parts have been used.

Upon written approval by Heatsail, the entire control panel should be returned in case of a defective cable.

Heatsail will not be held responsible for damage resulting from noncompliance with the maintenance instructions.

4. Warranty conditions

4.1. Warranty

Your DISC comes with a two-year, limited warranty. The original invoice will serve as your proof of purchase. This warranty does not affect the buyer's rights by virtue of the national legislation regarding the sale of consumer goods.

This warranty is only valid if the DISC's installation and maintenance have been carried out in accordance with the applicable standards and regulations and instructions for the installation, use, cleaning and maintenance of the product by qualified individuals who satisfy the legal requirements.

The warranty term will commence from the date the goods were delivered.

Any defective goods will be reviewed by Heatsail or an authorized Heatsail distributor. Once Heatsail has deemed a fault as a warranty situation, the Heatsail unit(s) will be brought to a local authorized distributor for repair and returned in a timely manner.

Heatsail and its distributors will not award any compensation for any direct or indirect damage resulting from, or relating to, using the product.

The replaced parts will be under warranty for the remainder of the warranty period from the date the goods are delivered.

4.2. Warranty exclusions

- The conditions for activating the warranty were not met.
- The parts appear to be defective as a result of negligence or inappropriate use or incorrect maintenance.
- The installation has not been carried out in accordance with the legal standards and not in accordance with the instructions provided in the user manual.
- Any damage caused as a result of weather conditions, chemical and electrochemical reactions, improper use, natural disasters, electrical discharge, fire, a defective electrical installation, modifications or mishandling to packaging, the handle and the electrical wiring.
- Any damage caused by transport.

We recommend you thoroughly check the goods upon receipt, allowing you to immediately notify the seller of any possible damage and to record any such damage on the transport document and the courier's copy.

For example:

- Physical damage after the installation, including glass breakage and scratches on the DISC and accessories.
- Suspicious tampering with the DISC and/or other causes that can't be attributed to the product's manufacture.
- The use of non-original replacement parts.
- Damage caused through normal wear and tear.

4.3. What to do in case of a fault?

In case of a fault, you must contact Heatsail or an authorized distributor immediately (no later than two months after the fault was first identified) for a repair or replacement. The warranty can only be initiated after written permission has been granted.

Heatsail declines any form of liability for any possible damage and/or injury which has been either directly or indirectly caused to people, animals or objects as a result of noncompliance with the instructions in the user manual and which specifically concern the warnings in relation to the installation, use and maintenance of the device.

5. Applicable law – competent court

The general terms and conditions and the agreement are governed by Belgian law. The courts of the judicial district of Antwerp shall have exclusive jurisdiction to settle any dispute arising from the agreement.

6. Assembly and wiring instructions

Open the box and follow these instruction guidelines for a quick installation.

You'll find these inside:

6x	M6 set screws (black)	1x	control box
6x	M6 set screws (white)	1x	user manual
1x	DISC	1x	remote control (wall attachment included)
1x	straight tube	9x	M6 buttonhead screws
1x	curved tube	4x	M4 flat-head screws and M4 nuts
1x	metal box	2x	floor screw and plug
1x	cover box	1x	Allen wrench
43x	bricks	4x	M3 flat-head screws
2x	decorative rings		

Requirements

To safely build your DISC, you will need the following tools:



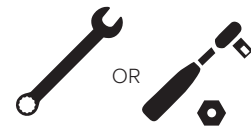
Protective work gloves



Stable ladder



Phillips-head screwdriver



Box-end wrench or wrench and socket (M10)



Mechanical lift

OR



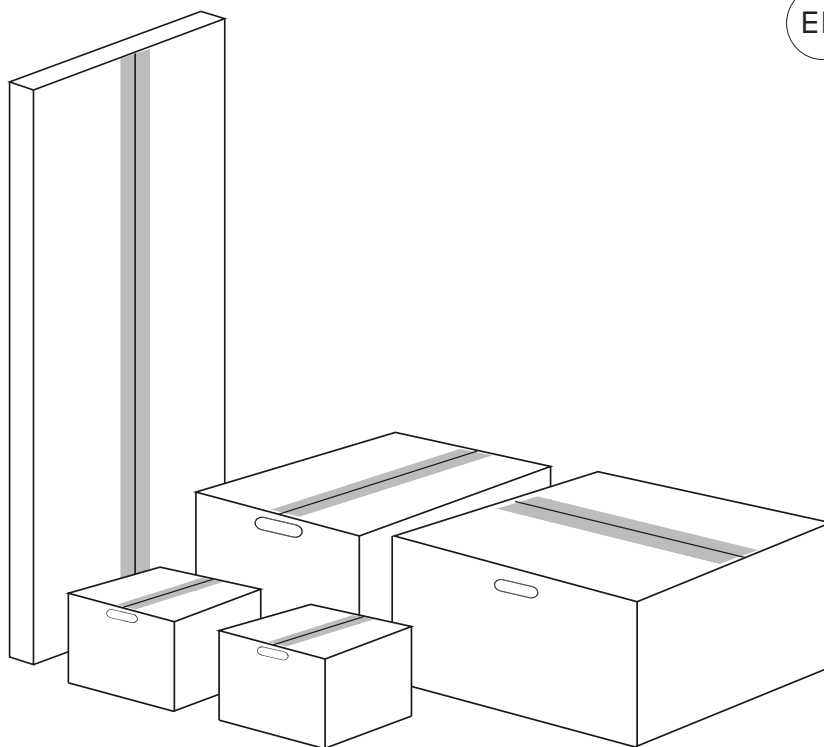
Two strong people to help you lift



Power drill

STEP 1

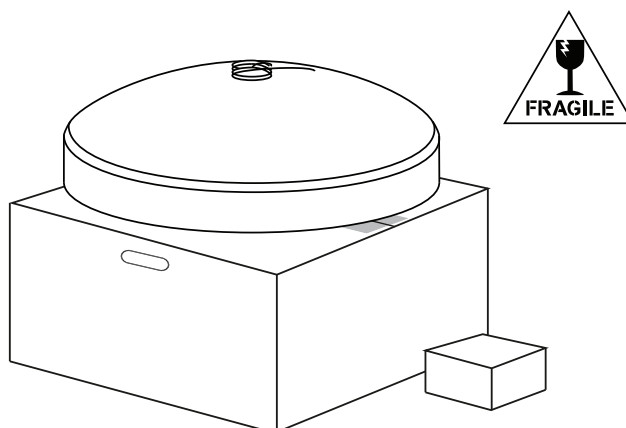
Your DISC consists of several boxes. Place them carefully on a flat surface and open them carefully.



STEP 2

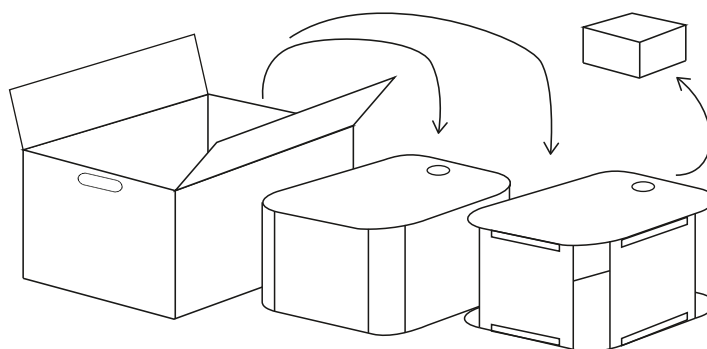
Open the box of the hood and set aside. Place the DISC hood on the top of the box and set aside for now.

NOTE: Do not carry the DISC by the cable.



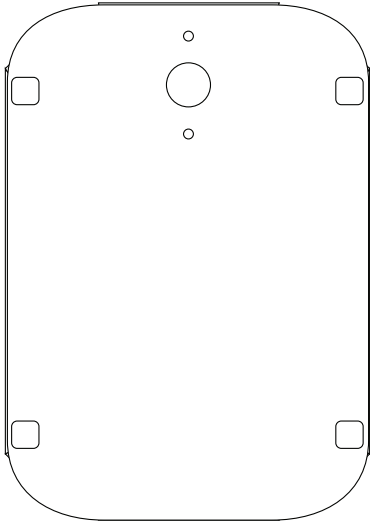
STEP 3

Remove the contents of the large rectangular box.



STEP 4

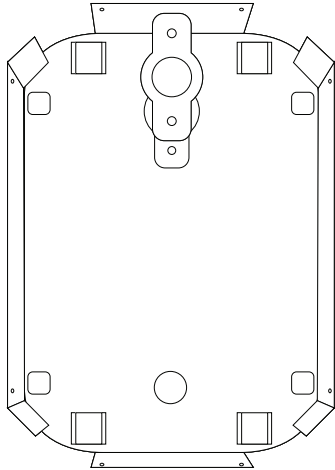
**Remove the lid of the metal box.
The box with the hardware is
inside.**



STEP 5

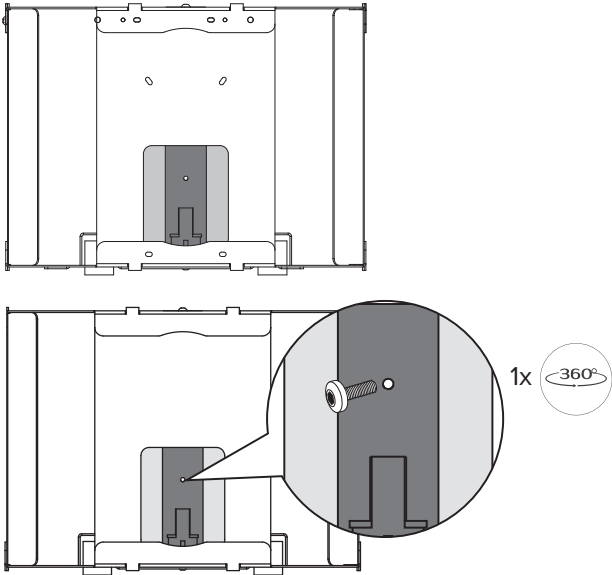
**Take the metal box. Position so
that the opening is on the far side.**

NOTE: Before continuing, be sure
you place the metal box where
you want the DISC installed for
permanent mounting.



STEP 6

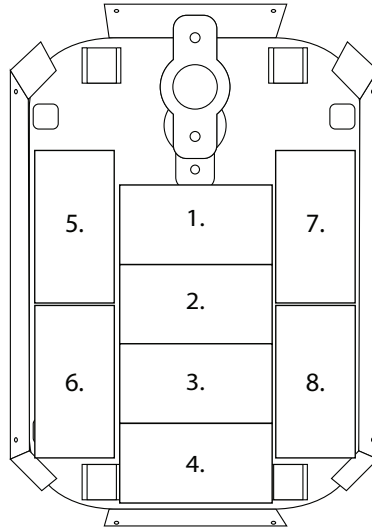
**Identify the two holes. Insert an
M6 buttonhead screw into the
the bottom hole of the tube, but
DO NOT tighten it fully at this
time.**



STEP 7a

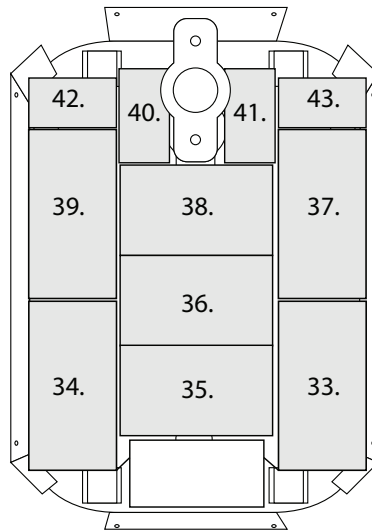
Stack the first level of bricks as shown in the image. The stack orientation is important!

Build four levels of bricks. Ensure you repeat the order (shown right).



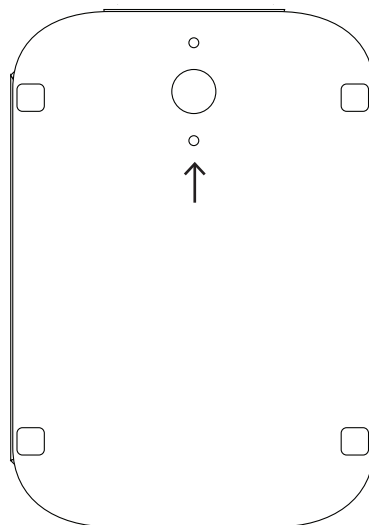
STEP 7b

Stack the last layer of bricks as shown in the image. Stack the last four bricks vertically as shown.



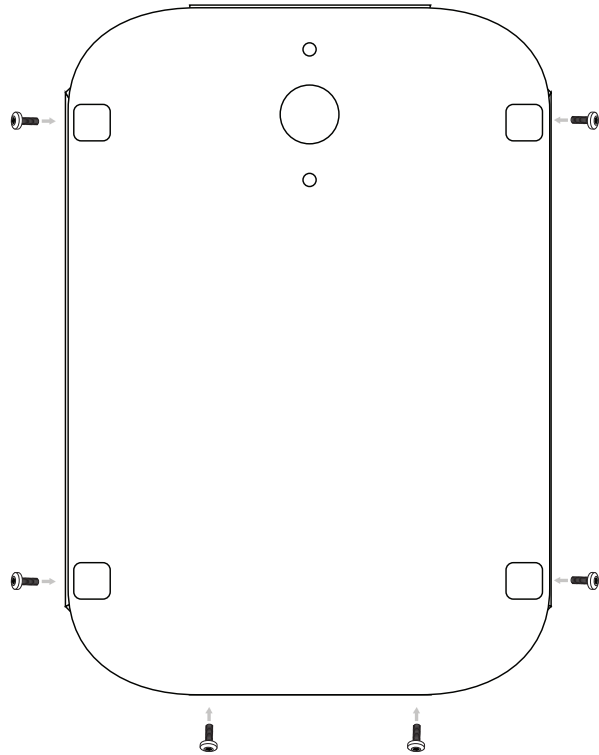
STEP 8

Take the cover and close the metal box. It will only fit one way.



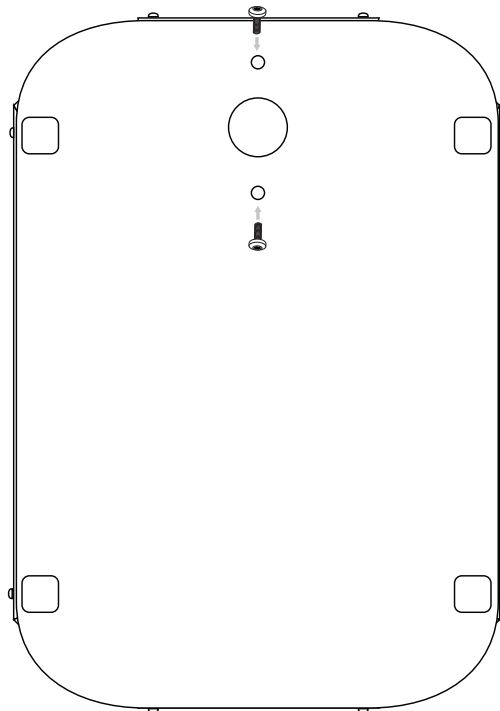
STEP 9a

Secure the metal cover with the six M6 buttonhead screws as shown in the image.



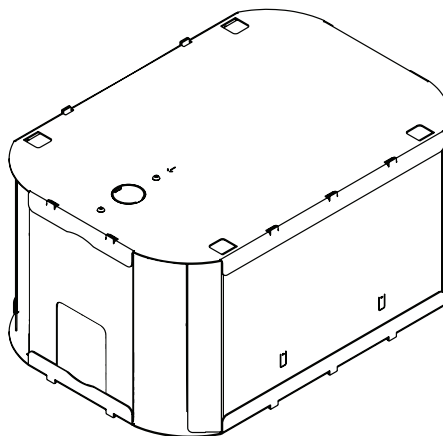
STEP 9b

Secure the metal cover with the two M6 buttonhead screws.



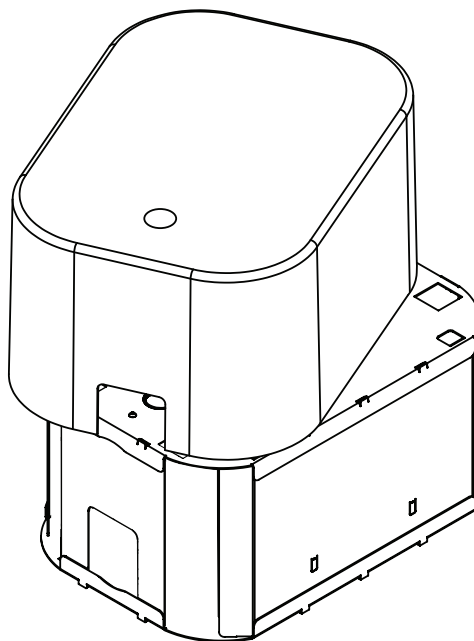
STEP 10

Roll the metal box where you want the DISC installed for permanent mounting.



STEP 11

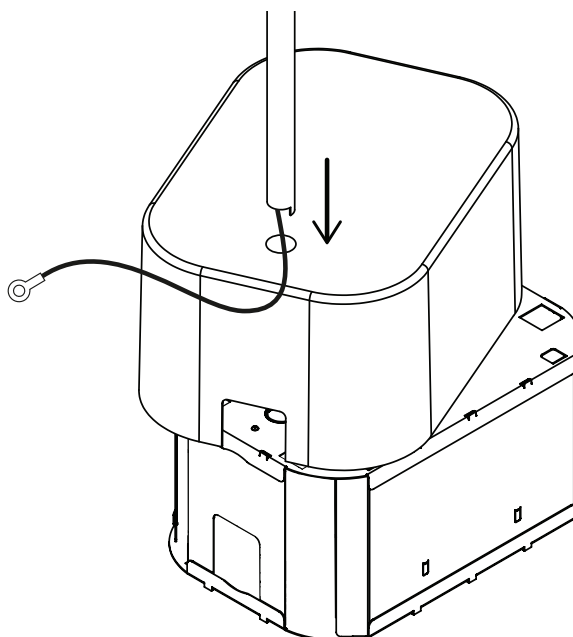
Place the cover box on the metal box. Use the plastic ring to protect the straight tube.



STEP 12

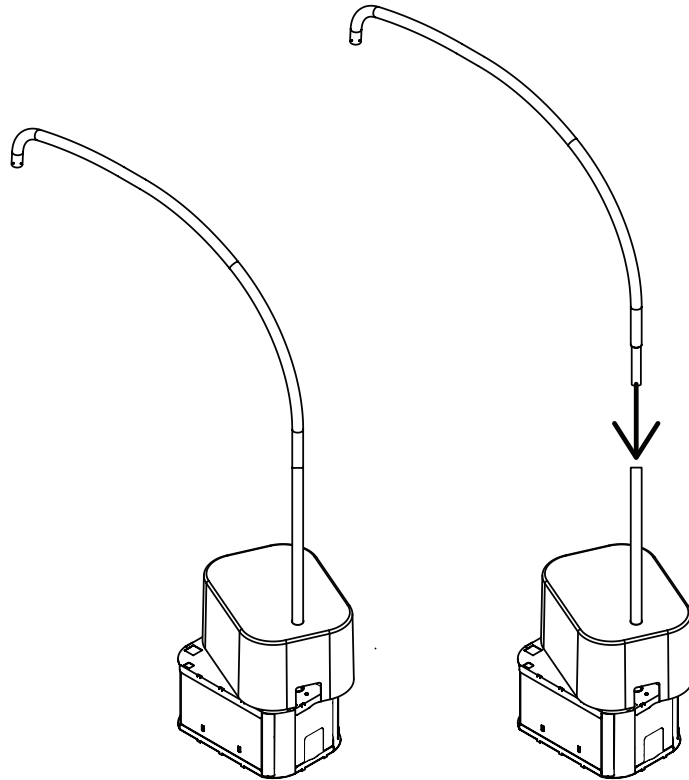
Insert the straight tube into the hole.

Ensure the green and yellow ground wire is inside the opening and extends from the bottom through the opening in the metal box.



STEP 13

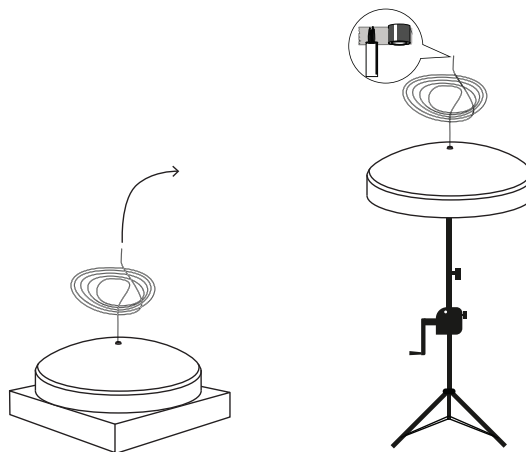
Insert the curved tube and attach it to the straight tube extending upwards from the base.



STEP 14

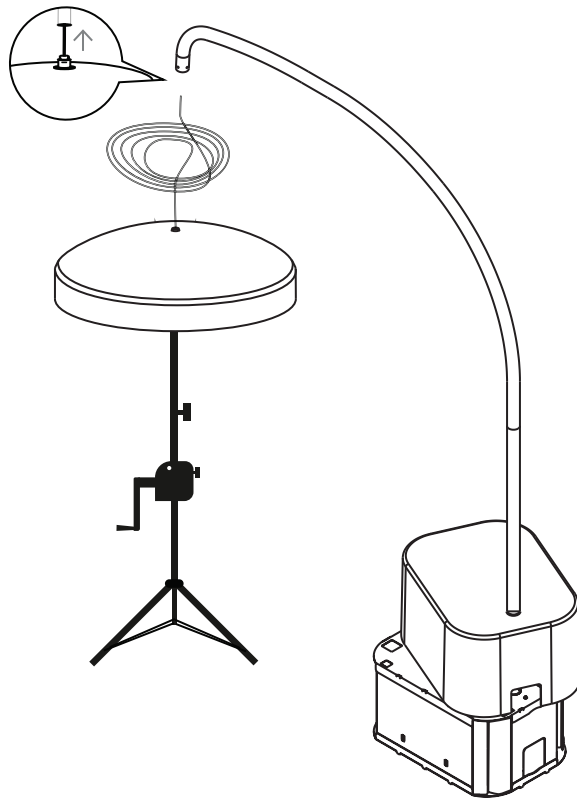
Use a mechanical lift or two strong friends to lift the DISC hood in preparation for following steps.

TIP: Use a piece of tape to hold the exposed wires at the end of the power cable together. This will ease its path into and through the tube.



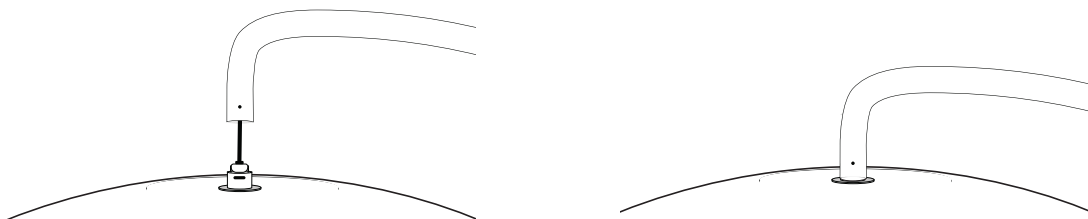
STEP 15

Insert the cable into the curved tube. Keep pushing until you can reach it through the opening at the bottom of the metal box.



STEP 16

Rotate the arc of the pole directly above the DISC. Insert and push the power cable through the pole as you lift the DISC to meet the mounting bracket to the curved tube.

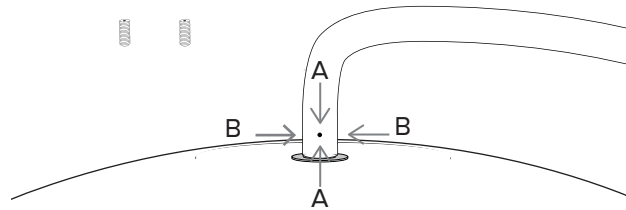


STEP 17a

Identify the holes in the mounting bracket and make sure they match with the holes (A) shown at right. Secure the DISC using two M6 set screws.

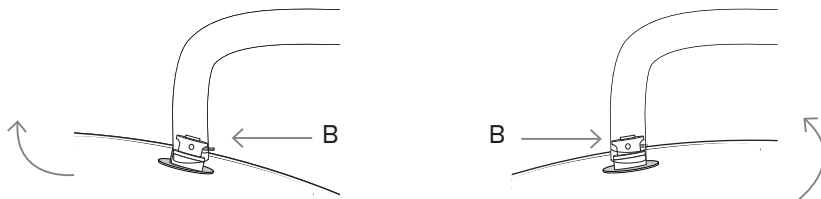
NOTE: DO NOT tighten them fully; they have to stick out 1/16 of an inch.

NOTE: Use the black or gray set screws depending on the color of your DISC.



STEP 17b

Secure two set screws in the holes (B) to adjust the lift and level of the DISC to make it parallel to the ground by backing the set screws in or out. Tighten them fully.

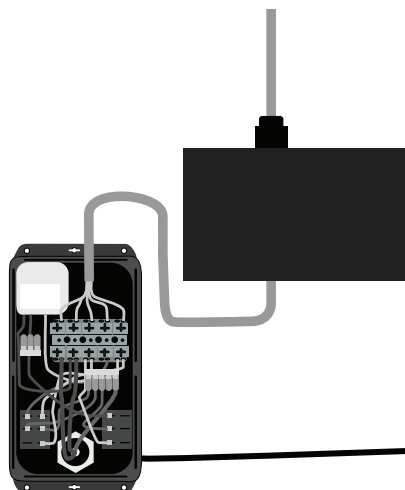


STEP 18

Remove the rear cover from the control box.





Insert the cable through the cable guide on the rear cover of the control box.

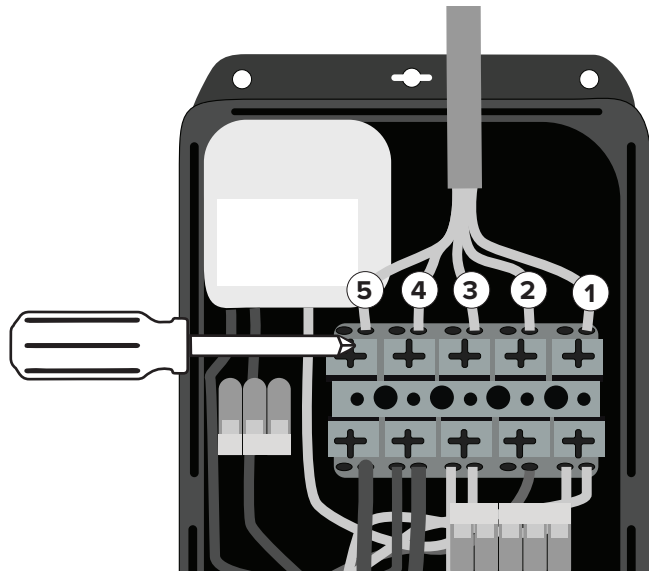
Ensure the other wires in the control box are not disconnected during this process.



STEP 19

Insert the wires into the corresponding terminals:

Wire number	Wire color	Pictogram
1	BLACK	
2	GRAY	
3	BROWN	
4	BLUE	N
5	GREEN/YELLOW	

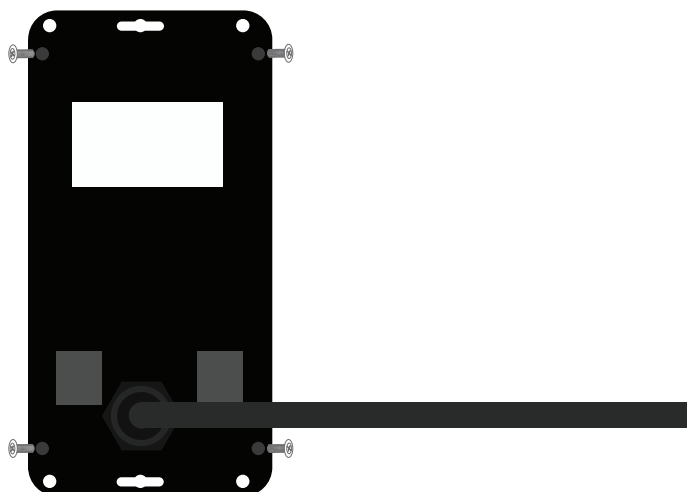


Push down on terminal with screwdriver tip (as shown above) while inserting the wire into the terminal to release terminal tension. Once wire is fully seated, release terminal and the wire will be held in place.

Test connection by gently tugging on wire. A well-seated wire will not easily pull out. You can find the wiring diagram on page 29.

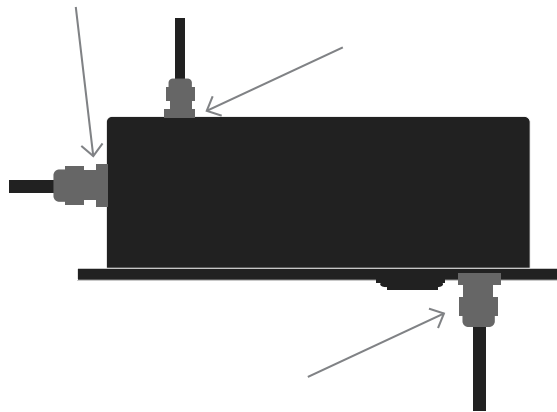
STEP 20

Using the Phillips-head screwdriver, reattach the rear cover of the control box with the four screws.



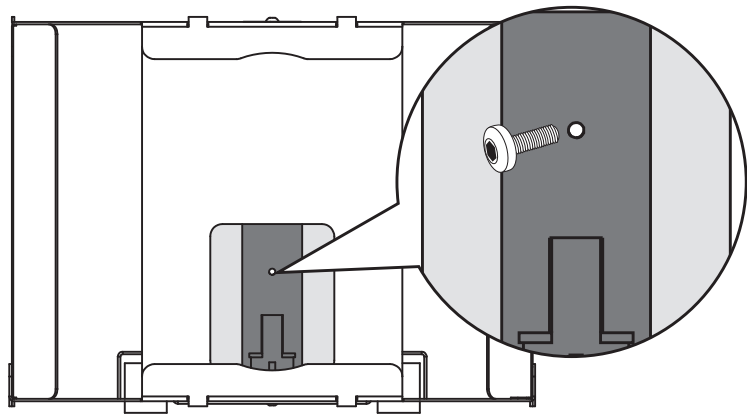
STEP 21

Tighten all the cables glands to prevent ingress of the elements.



STEP 22

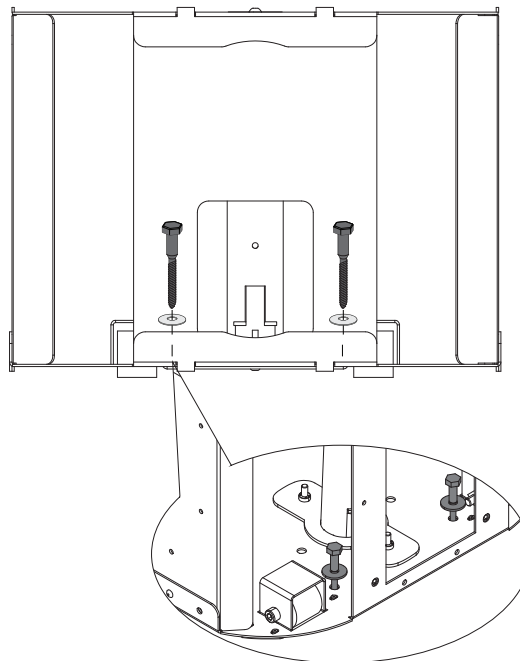
Tighten the M6 screw on the tube. (See step 6)



STEP 23

Drill a hole in the mounting surface and anchor your DISC with the correct supplied floor screws according to the surface material.

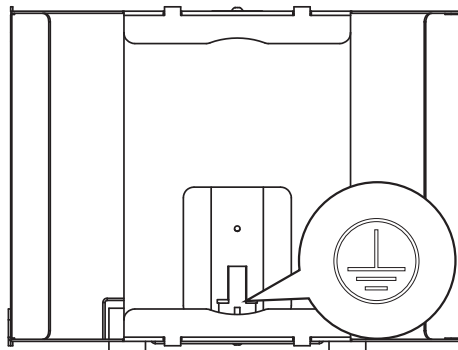
NOTE: We have provided an assortment of floor screws for the most common surface materials. If the supplied hardware is not suitable for your surface, please contact your local hardware supplier.



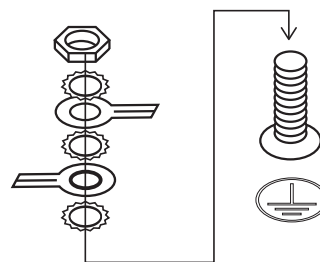
STEP 24

Look for the ground stud with the grounding symbol.

(shown at right)



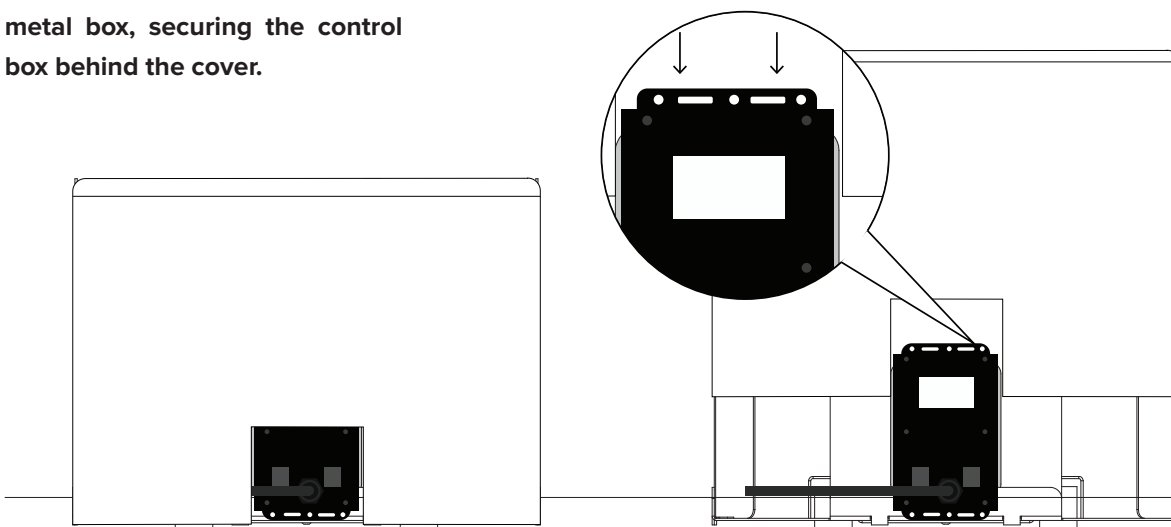
Attach the two grounding wires (green and yellow) from the tube and from the control box to the stud, layering the lock washers and wires as shown. Fasten with the supplied M6 nut, using M10 wrench or socket.



STEP 25

Insert the control box into the opening. Fasten with the supplied M4 nuts.

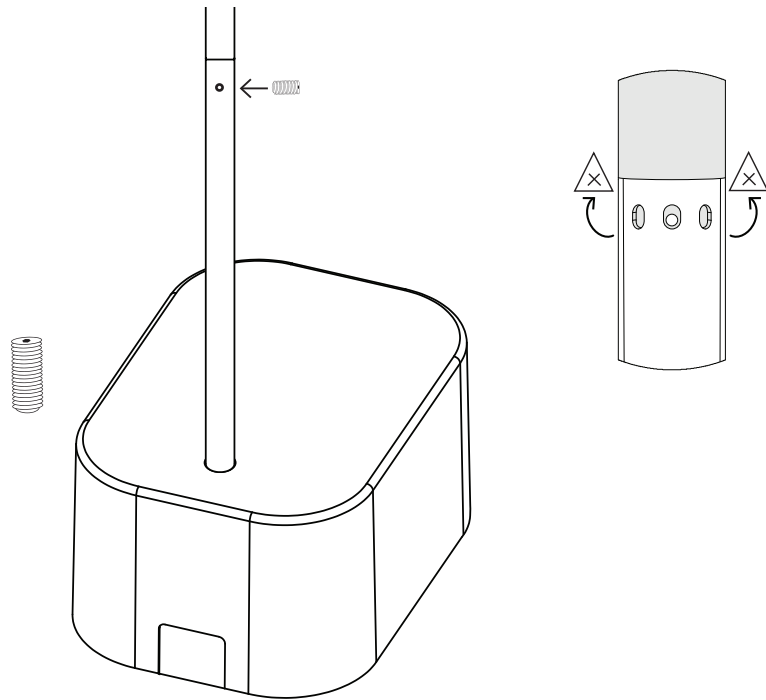
Lower the cover box over the metal box, securing the control box behind the cover.



STEP 26

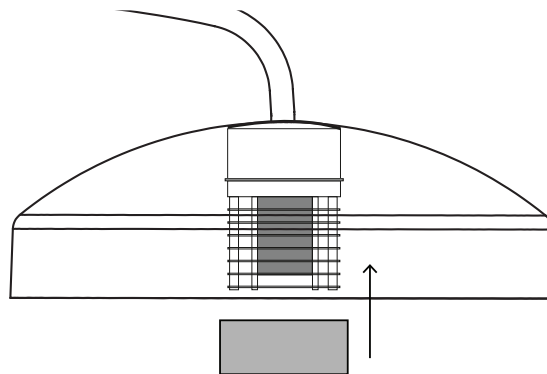
Secure the two parts of the tube with the supplied M6 set screw.

ATTENTION! To ensure stability, only the middle hole can be used to fasten the tube.



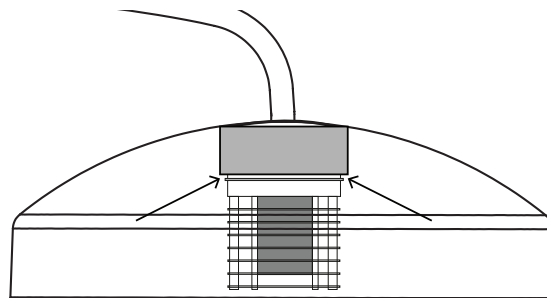
STEP 27

Lift the glass upwards until it touches the hood.



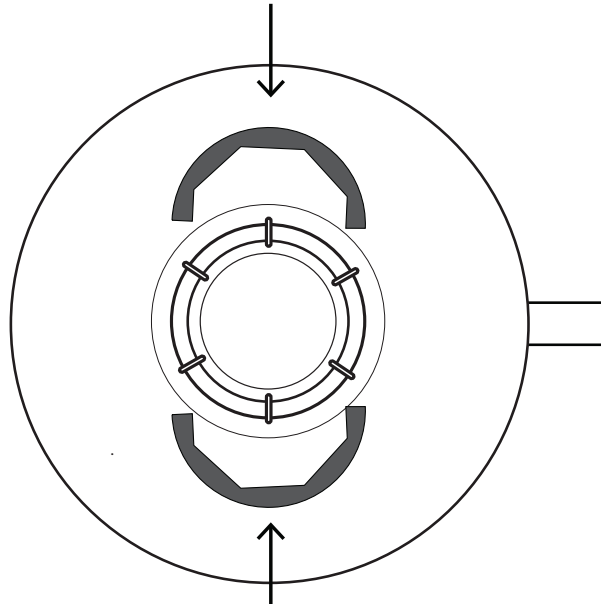
STEP 28

Position for the two half rings.



STEP 29

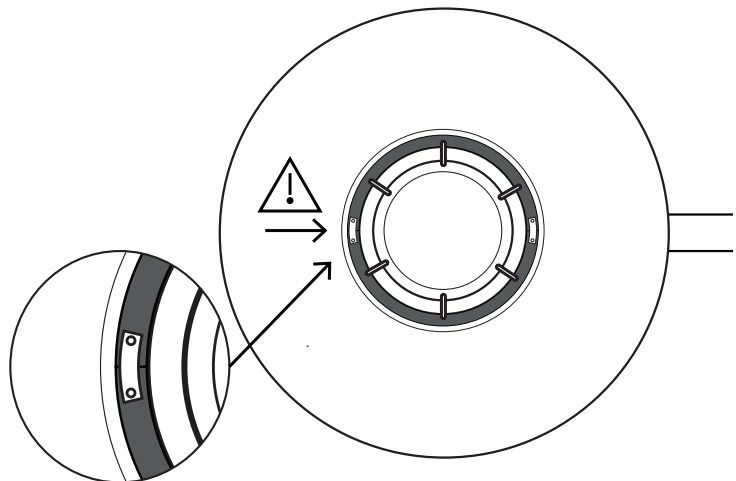
Use the two half rings to hold the glass up.



STEP 30

The two half rings have to fit seamlessly. Adjust the position if needed.

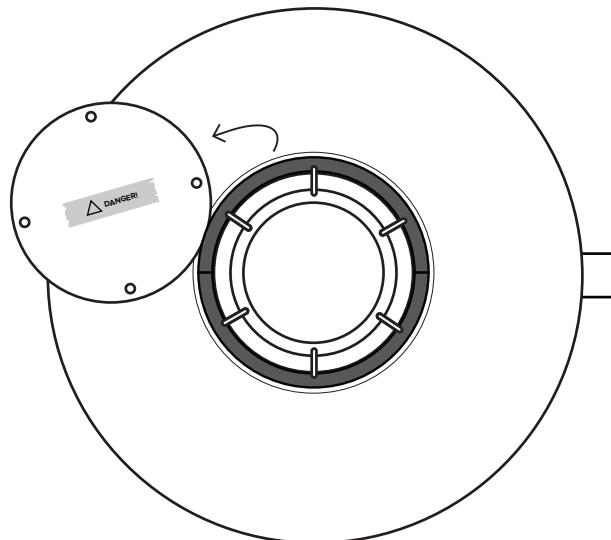
Connect both halves using the M3 studs and nuts and the metal bridges.



STEP 31

Look up and identify the protective plate, and then remove by cutting the three zip ties. Ensure that all decals on the bottom of the plate and heating element are removed, if present.

Enjoy your brand new DISC!

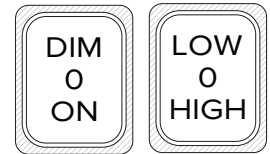


7. Operation

Activate your DISC

After the DISC is wired to a suitable power outlet, the DISC may be powered on. The right switch (marked LOW - 0 - HIGH) switches the heater on. On "LOW" only three side elements provide heat. On "HIGH" all five side elements and the round bottom element are providing heat. "0" switches the heater off. When you switch on the DISC, it takes up to 30 minutes before the DISC reaches its full temperature. When switched off, it may take up to 40 minutes before the DISC has completely cooled down.

The left switch (marked DIM - 0 - ON) manually controls the light.



Located on the back of the panel of the base of the DISC.

"DIM" ENABLES THE REMOTE

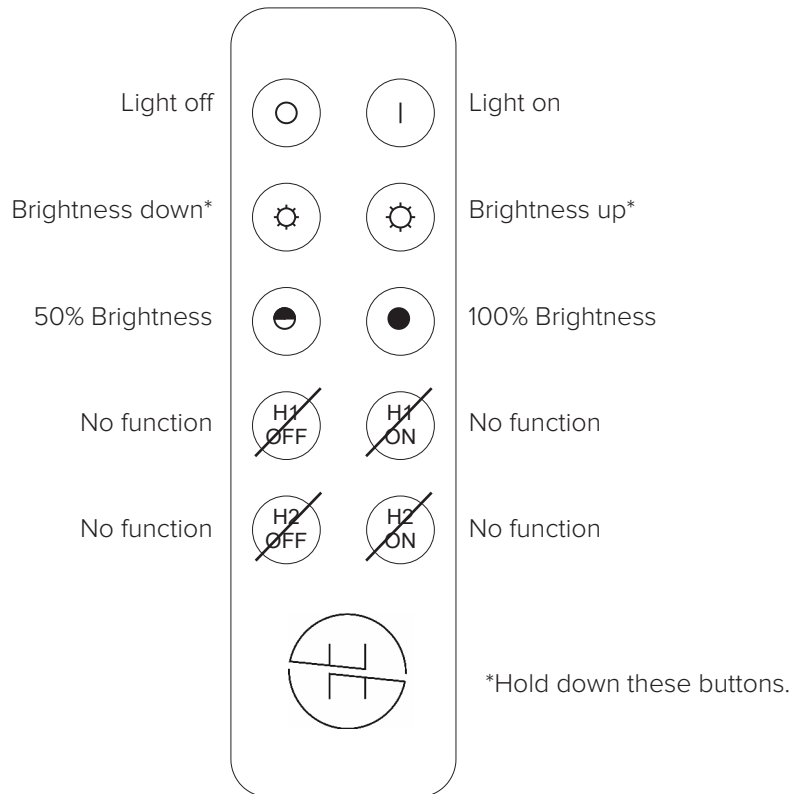
Enable the light with remote

"0" LIGHT OFF

Switch off the light without the remote

"ON" LIGHT ON

Switch on the light without the remote



Top view

8. Troubleshooting

The electrical supply must be disconnected via the installation's main breaker or by disconnecting the plug before any work can be carried out.

The light does not work

Switch off power. Remove the 2 half rings and pull the glass of the DISC downwards. You can now access the halogen bulb. Verify it is well-seated and not broken. If you need to replace the bulb, replace it with a standard R7S 78mm, 240V/120W bulb.

Please note: Always use a cloth or gloves to replace the bulb, as touching it with bare hands shortens the life considerably.

If this does not resolve your issue, verify that wires 5 and 6 are properly inserted into the connection block. Refer to steps 18 and 19. If problem persists, reprogram the remote (see next page).

No heat

None of the elements are heating. Ensure power is set to HIGH. Verify that wires 1, 2, 3 and 4 are properly connected (see steps 18 and 19).

Only some elements are heating

If elements are not working, see steps 18 and 19 and verify that wires 1, 2, 3 and 4 are securely connected in the proper terminals.

Nothing works

Verify the fuse in rear of control box is not blown. If blown, replace with 20A, 6.3 x 32mm, T slow rated 250VAC glass fuse.

Verify all wires are properly inserted in the connector block (see step 19).

Verify that the circuit breaker switch is turned on and has not been tripped.

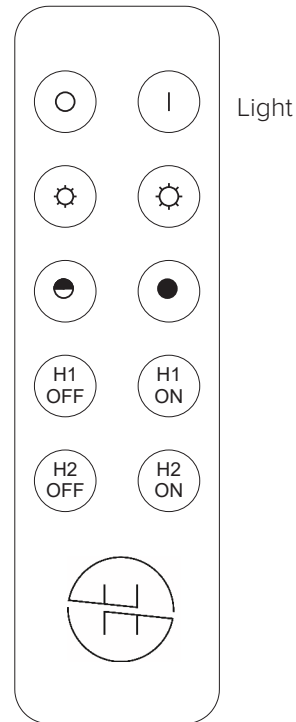
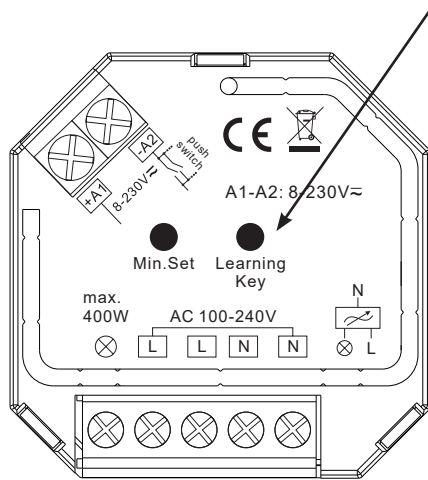
Close the control box and retry.

If still not working, please contact your dealer.

Reprogramming the remote:

Open the control box and locate the dimmer module.

- (1) Switch on the main power
- (2) Be aware of any exposed wiring
- (3) Find the "Learning Key" on the dimmer module










Register transmitter with the receiver

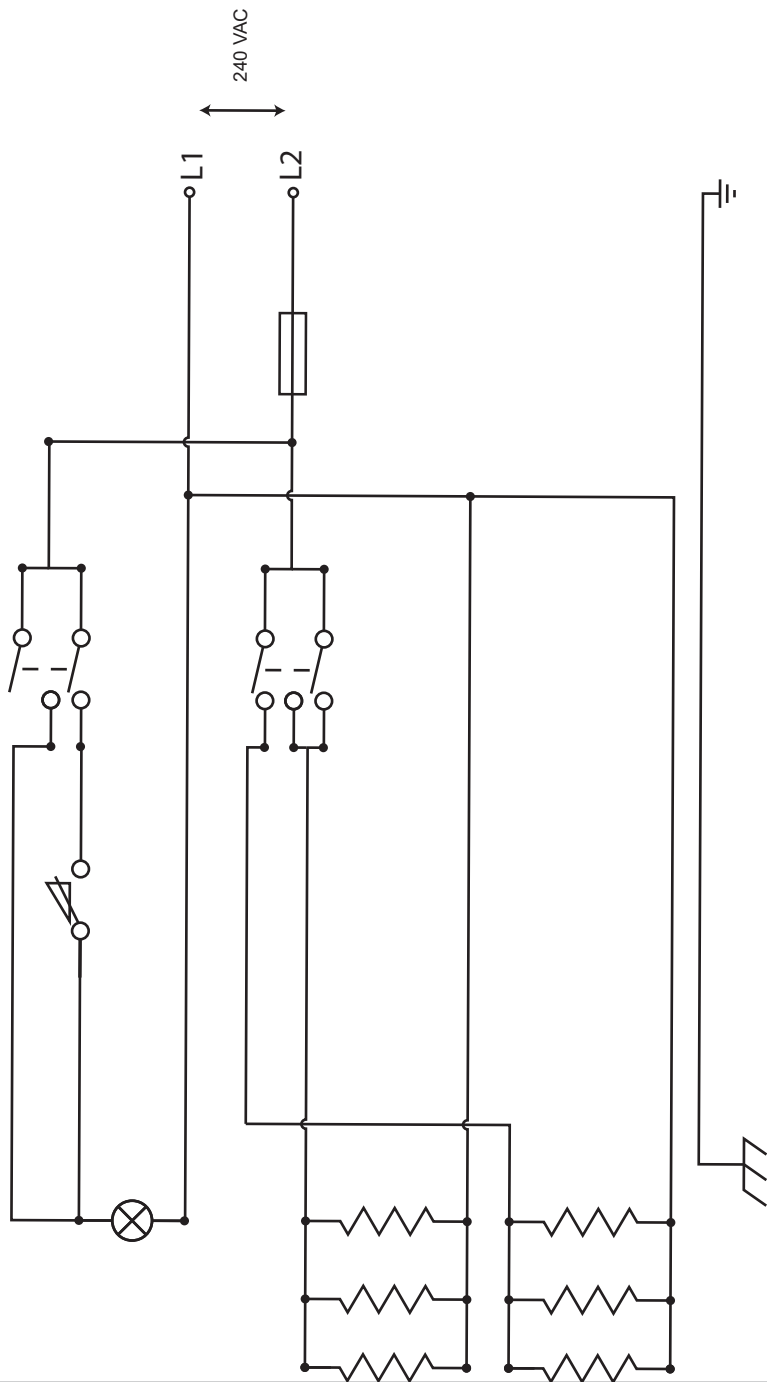
- (1) Press the "Learning Key" for one second. The search mode will be active for a short period.
- (2) Send a signal to the receiver with the remote by clicking one of the buttons on the remote control. If this is the first use of the DISC, please be sure that the protective film on the battery of the remote is removed.
- (3) The receiver will store the applicable transmission code in the receiver's memory. If the device successfully paired with the remote, the light on the DISC will light up briefly (1-2 seconds).

Repeat this procedure to register several remotes, if required. The receiver can store up to eight transmission codes in its memory. The memory will be retained if you install the receiver somewhere else or if the power goes off.

Disconnect remote

Put left switch (marked DIM - 0 - ON) on DIM; within 30 seconds, hold down the off button on the remote for 6 seconds. The light will go on and off. Remote is disconnected.

	LAMP 120 W 240V
	SWITCH - button or module
	HEATING ELEMENTS
	DIMMER MODULE
	GROUND
	GROUND CHASSIS
	FUSE





DISC® TIMELESS LIGHTING
WITH HEATING FOR YOUR GARDEN OR TERRACE



RUSTPROOF &
WEATHERPROOF



LOW ENERGY USAGE
ZERO CO2 EMISSION



MINIMAL
MAINTENANCE



1. Consignes de sécurité électrique & conditions d'utilisation	34
2. Sécurité	35
3. Entretien	36
4. Conditions de garantie	38
5. Droit applicable	39
6. Installation visuelle et schémas de connexion	40
7. Opération	54
8. Dépannage	55

Nous vous remercions pour votre achat!

Le présent manuel d'utilisation est indissociablement lié au DISC® et doit toujours être conservé par l'utilisateur ou par le responsable compétent.

Lisez minutieusement les consignes d'utilisation. Elles contiennent des informations essentielles sur la sécurité, l'utilisation, le nettoyage et l'entretien du DISC. Heatsail ne peut pas être tenu responsable en cas de dommages causés à des personnes, des animaux et des objets qui seraient dus au non-respect des consignes figurant dans le manuel d'utilisation.

Heatsail se réserve le droit d'apporter, à tout moment et sans information préalable, des modifications au produit, aux caractéristiques techniques ainsi qu'au manuel d'utilisation.

Si vous revendez le DISC, si vous le cédez à un autre utilisateur ou le laissez sur place lorsque vous déménagez, le manuel doit être laissé à disposition du nouvel utilisateur.

Nous vous souhaitons de longues soirées chaudes et agréables avec notre DISC!

Manuel d'utilisation

Manuel d'utilisation, d'entretien et d'installation.

Attention

Lire attentivement le manuel avant d'utiliser l'appareil!

Ne jetez pas le manuel, il contient le numéro de série de votre appareil!

1. Consignes de sécurité électrique & conditions d'utilisation

L'utilisation du DISC nécessite une installation électrique avec une mise à la terre correcte. La sécurité électrique de l'installation ne peut être assurée que si l'installation est correctement raccordée à un système de mise à la terre réalisé conformément aux consignes de sécurité. Un contrôle préalable est indispensable. En cas de doute, un contrôle minutieux doit être effectué par des personnes qualifiées et autorisées. Heatsail décline toute responsabilité en cas de dommages dus à une installation non reliée à la terre.

L'installation des éléments électriques du DISC nécessite un raccordement à un réseau de 230V-50/60Hz (fusible de 16 Amp ET 30 mA sur disjoncteur): le raccordement doit être réalisé correctement, conformément aux normes IEC-CEI en vigueur.

Ce produit doit être installé par un électricien qualifié et la connexion de l'alimentation électrique doit être conforme aux exigences des réglementations NFPA 70 et OSHA Règlements 29 CFR 1910.304 (b) (2).

Attention: Avant de réaliser les connexions ou d'autres travaux aux parties électriques, l'alimentation électrique doit être interrompue et il convient de s'assurer que le courant ne peut pas de nouveau être branché par accident. Des prescriptions légales ou autres peuvent s'appliquer localement.

Pour l'alimentation électrique du DISC, l'utilisation d'adaptateurs, de multiprises et de rallonges n'est pas autorisée. Un interrupteur doit toujours être installé entre le DISC et le disjoncteur. Le non-respect de ces consignes peut nuire à la sécurité de l'appareil. Heatsail ne peut pas être tenu responsable des dommages qui en découleraient.

2. Sécurité

La hauteur minimale d'espace libre du DISC est de 1,80 mètre, mesurée à partir du sol jusqu'au-dessous de l'élément chauffant inférieur.

Les enfants de moins de 3 ans doivent être maintenus éloignés du DISC, sauf sous la surveillance continue d'un adulte. Le DISC doit être maintenu hors de portée de toute personne n'étant pas à même d'évaluer les dangers qui peuvent survenir par une utilisation d'appareils électriques incorrect.

Ne pas utiliser le DISC dans des petites pièces occupées par des personnes incapables de quitter la chambre seules, sauf si une surveillance constante est fournie.

ATTENTION - Le chauffage monte à des températures très élevées et peut provoquer des brûlures. Le DISC ne peut en aucun cas être touché dès l'instant où il est mis en route.

Il convient de faire particulièrement attention lorsque des enfants et des personnes vulnérables sont présents.

Après l'arrêt, le DISC reste chaud pendant une durée relativement longue. Ne touchez pas le DISC pendant une période de 40 minutes suivant l'arrêt.

Attention: La prudence reste de mise.

La grille n'offre pas de protection contre la chaleur.

Ne jamais utiliser le DISC lorsque la vitre est endommagée.

Ne pas utiliser le DISC avec un minuteur ou un quelconque autre appareil qui permet de mettre l'appareil en route automatiquement, étant donné le risque d'incendie qui existe lorsque le DISC est mal positionné.

N'utilisez jamais le DISC à proximité immédiate d'un bain, d'un jacuzzi, d'une douche, d'une piscine ou d'une serre.

Pour réduire les risques d'incendie, maintenez une distance minimale de 1 mètre entre le DISC et les textiles, les rideaux et tout autre matériau inflammable. Ne le recouvrez jamais sans l'avoir préalablement débranché!

Il est interdit de toucher le DISC avec des parties du corps nues, mouillées ou humides.

Le DISC est composé de six éléments chauffants rayonnants en céramique montés dans un sens déterminé sur une plaque réfléchissante. Dès que les éléments céramiques commencent à chauffer, la température de service est atteinte dans un délai de 30 minutes.

Attention: Aucune lueur n'est visible dans la zone infrarouge.

N'utilisez jamais le DISC pour allumer quoi que ce soit. Les éléments en céramique sont fragiles et doivent être traités avec la prudence nécessaire. Cela vaut également pour le verre.

- * **Dans des conditions météorologiques extrêmes, faites toujours de sorte que le DISC soit ancré. Gardez toujours le DISC libre de neige. L'utilisation du DISC n'est pas autorisée dans les serres ni sur les chantiers de construction.**

Heatsail décline toute responsabilité en cas de dommages dus au non-respect des consignes relatives à l'utilisation et à l'entretien.

3. Entretien

3.1. Nettoyage

Nettoyage mensuel de votre DISC.

Avant de le nettoyer, l'appareil doit être débranché du disjoncteur de l'installation ou la prise doit être retirée. L'appareil peut uniquement être nettoyé avec un chiffon doux et sec. N'utilisez pas de chiffons abrasifs. n'utilisez pas de détergent. Il est interdit d'utiliser un nettoyeur haute pression et/ ou à vapeur. Le nettoyage ne peut être effectué que lorsque le DISC a entièrement refroidi.

Le non-respect de ces consignes peut nuire à la sécurité de l'appareil. Heatsail décline toute responsabilité en cas de dommages dus au non-respect des consignes relatives au nettoyage.

3.2. Remplacement de l'ampoule

Votre DISC est livré en standard avec une lampe halogène R7S de 230V/120 Watts (78mm). La puissance maximale autorisée est de 120 Watts.

Avant de remplacer cette ampoule, l'appareil doit être débranché du disjoncteur principal de l'installation ou la prise de courant doit être retirée.

Vous pouvez remplacer l'ampoule. Retirez les deux anneaux décoratifs. Puis en glissant prudemment le verre vers le bas. L'ampoule est maintenue en place dans son support par un petit ressort. Retirez l'ampoule en la poussant d'abord vers la droite ou vers la gauche de façon à l'extraire de son support. Remplacez-la par une nouvelle.

Attention: Ne jamais toucher l'ampoule à mains nues, car cela réduit considérablement la durée de vie de l'ampoule.

3.3. Inspection

Le DISC doit être soumis à une inspection annuelle.

L'utilisateur n'est pas autorisé à effectuer lui-même l'inspection ou des réparations. L'inspection du DISC doit être effectuée exclusivement par des personnes qualifiées et autorisées, conformément aux normes en vigueur et aux consignes de Heatsail. Par personnes qualifiées, on entend: un électricien qualifié qui connaît les lois et réglementations électriques applicables conformément aux exigences de NFPA 70 et OSHA Regulations 29 CFR 1910.304 (b) (2).

Avant d'effectuer des travaux au DISC, l'appareil doit être débranché du disjoncteur principal de l'installation ou la prise de courant doit être retirée.

Toute réparation doit être demandée par le biais de Heatsail. Une réparation ne sera valable que si des pièces d'origine sont utilisées.

En cas de câble défectueux, veuillez renvoyer tout le système de commande après autorisation écrite de Heatsail.

Heatsail décline toute responsabilité en cas de dommages dus au non-respect des consignes relatives à l'entretien.

4. Conditions de garantie

4.1. Garantie

La facture originale vaut comme preuve de garantie pour la garantie légale de 2 ans. Cette garantie n'annule pas les droits dont bénéficie l'acheteur en vertu de la législation nationale en matière de vente de biens de consommation. Cette garantie est uniquement valable si l'installation et l'entretien du DISC sont réalisés conformément aux normes et directives en vigueur ainsi qu'au manuel d'installation, d'utilisation, d'entretien et de nettoyage du produit réalisés par des personnes qualifiées répondant aux exigences légales.

Le délai de garantie débute à la date de livraison des marchandises.

En principe, le remplacement ou la réparation sont gratuits, les frais d'expédition étant à la charge de l'acheteur, sauf s'il en a été convenu autrement. Les marchandises défectueuses seront renvoyées par l'acheteur, après accord écrit de Heatsail, à ce dernier. Heatsail ne verse pas de dédommagement pour des dommages directs ou indirects causés par ou en rapport avec l'utilisation du produit.

Aucune indemnisation ne sera versée pour la période pendant laquelle le produit ne fonctionne pas.

Les pièces remplacées seront garanties pour la période de garantie restante à partir de la date de livraison de la marchandise.

4.2. Exclusions de garantie

- Les conditions d'activation de la garantie n'ont pas été respectées.
- Les pièces semblent défectueuses suite à un manque de soin ou une négligence dans l'utilisation ou un mauvais entretien.
- L'installation n'est pas conforme aux normes légales ni aux consignes figurant dans le manuel d'utilisation.
- Les dommages causés par les conditions météorologiques, une action chimique ou électrochimique, une mauvaise utilisation, des catastrophes naturelles, une décharge électrique, un incendie, une installation électrique défectueuse, des modifications ou des dommages causés aux garnitures, à la poignée ou au câblage électrique.
- Tous les dommages dus au transport.

C'est pourquoi nous vous recommandons de vérifier minutieusement les produits à la réception afin de signaler immédiatement tout dommage au vendeur et de l'indiquer sur le document de transport et sur la copie pour le transporteur.

Comme notamment:

- Des dommages physiques après l'installation, comme un bris de verre, des rayures, etc. présents sur le DISC et les accessoires.
- Les bricolages réalisés sur le DISC et/ou autres causes qui ne seraient pas dues à la fabrication du produit.
- L'utilisation de pièces de rechange qui ne sont pas d'origine.
- Les dommages dus à une usure normale.

4.3. Que faire en cas de panne?

En cas de panne, vous devez vous adresser immédiatement, et dans tous les cas dans les deux mois qui suivent, à Heatsail en vue d'une réparation ou d'un remplacement. La garantie ne pourra être activée qu'après autorisation écrite.

Heatsail décline toute forme de responsabilité pour d'éventuels dommages qui seraient causés directement ou indirectement à des personnes, des animaux ou des objets suite au non-respect des consignes figurant dans le manuel d'utilisation et surtout les avertissements concernant l'installation, l'utilisation et l'entretien de l'appareil.

5. Droit applicable

Les conditions générales et le contrat sont régis par le droit belge. Seuls les tribunaux de l'arrondissement judiciaire d'Anvers sont compétents pour prendre connaissance de tout différend découlant du contrat.

6. Installation visuelle et schémas de connexion

Open the box and follow these instruction guidelines for a quick installation.

Vous trouverez ceci à l'intérieur:

6x	vis de réglage M6 (noir)	1x	boîtier de commande
6x	vis de réglage M6 (gris)	1x	manuel d'utilisation
1x	DISC	1x	télécommande
1x	tube droit	9x	vis M6
1x	arc	4x	vis M4 et écrous
1x	caisson en métal	2x	vis de plancher
1x	câche-caisson	1x	clé Allen
43x	pavés	4x	vis M3
2x	anneaux décoratifs		

Exigences

Pour monter en toute sécurité votre DISC, vous aurez besoin des outils suivants:



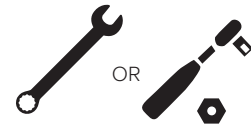
Gants de protection



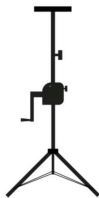
Échelle stable



Tournevis cruciforme



Clé polygonale ou clé et douille (M10)



Trépied

OU



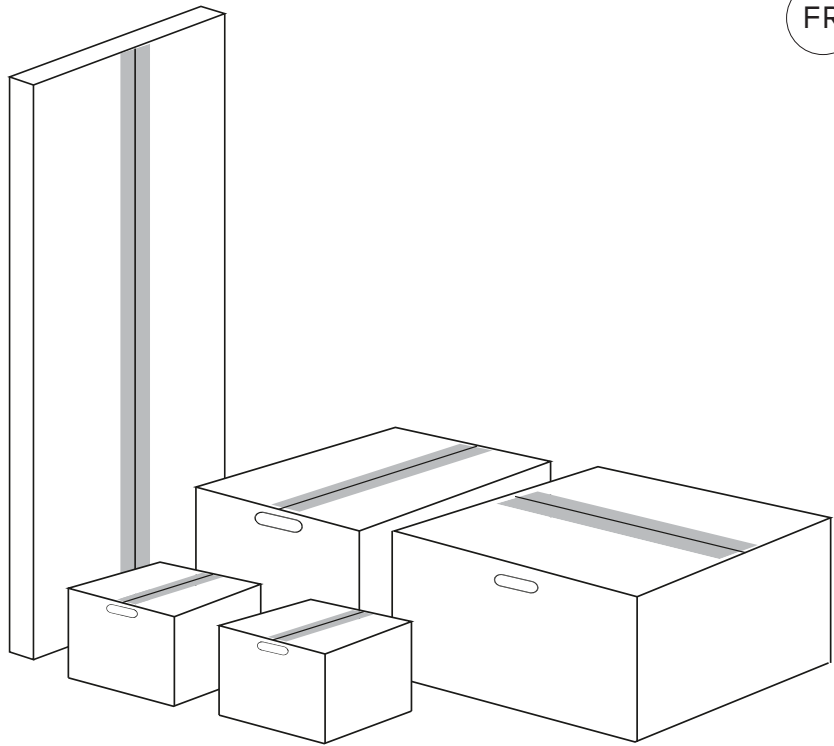
2 personnes fortes pour vous aider à porter



Perceuse électrique

ÉTAPE 1

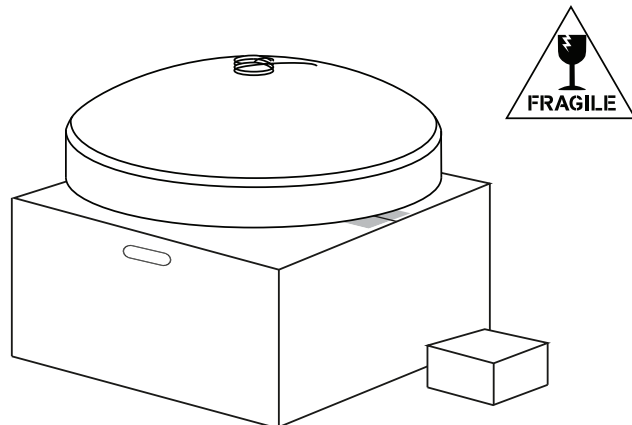
Votre DISC se compose de plusieurs boîtiers. Placez-les soigneusement sur une surface plane et ouvrez-les soigneusement.



ÉTAPE 2

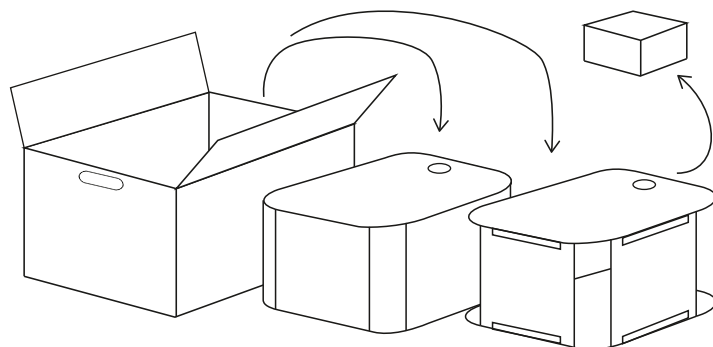
Ouvrez la boîte de la coupole et mettez-la de côté. Placez la capote du DISC sur la partie supérieure de la boîte et mettez-la de côté pour le moment.

Attention: Ne pas porter le DISC en tenant le câble.



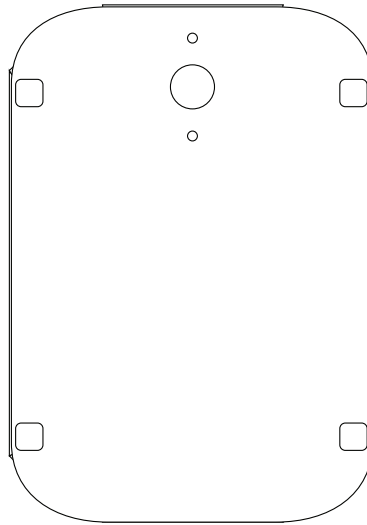
ÉTAPE 3

Sortez tout de la grande boîte rectangulaire.



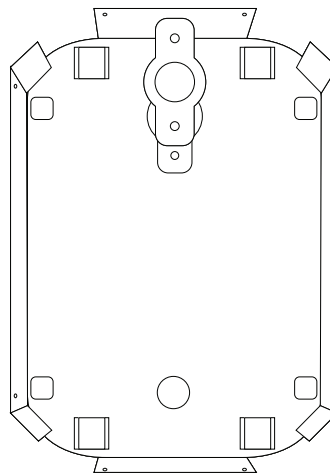
ÉTAPE 4

Prenez le couvercle et ouvrez le caisson en métal. La boîte avec le matériel est à l'intérieur.

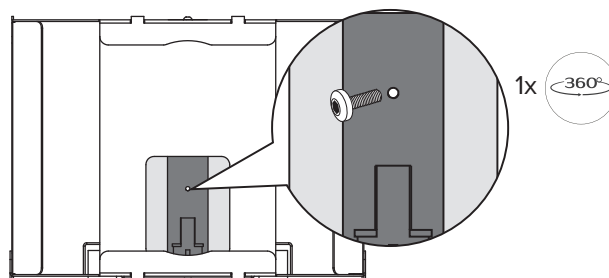
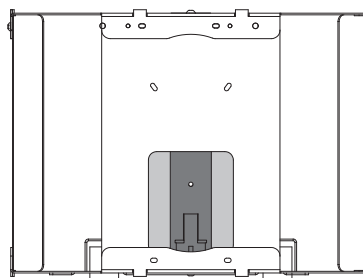
**ÉTAPE 5**

Prenez le caisson en métal. Positionnez-la de sorte que la brèche soit de l'autre côté.

Attention: Avant de continuer, assurez-vous de placer le caisson en métal à l'endroit où vous souhaitez installer le DISC pour un montage permanent.

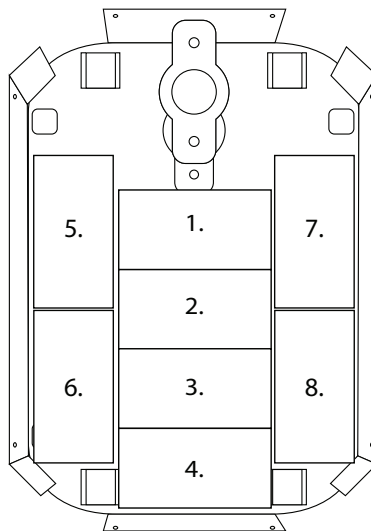
**ÉTAPE 6**

Identifiez les deux trous dans le tube. Mettez une vis M6 dans le trou inférieur du tube, mais ne la serrez pas encore complètement. Nous y reviendrons plus tard.

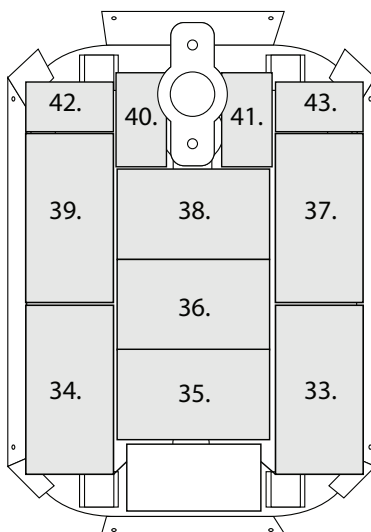


ÉTAPE 7a

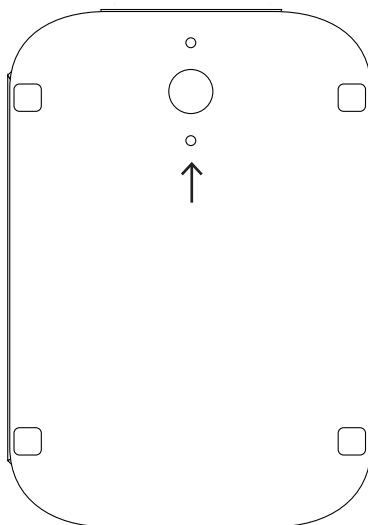
Empilez le premier niveau de pavés comme indiqué sur l'image. L'ordre de la pile est important! Construisez quatre niveaux de pavés. Assurez-vous de répéter l'ordre (voir l'image à droite).

**ÉTAPE 7b**

Construisez la dernière niveau de pavés. Assurez-vous de répéter l'ordre. Construisez Placez les quatre dernières pavés verticalement (voir l'image à droite).

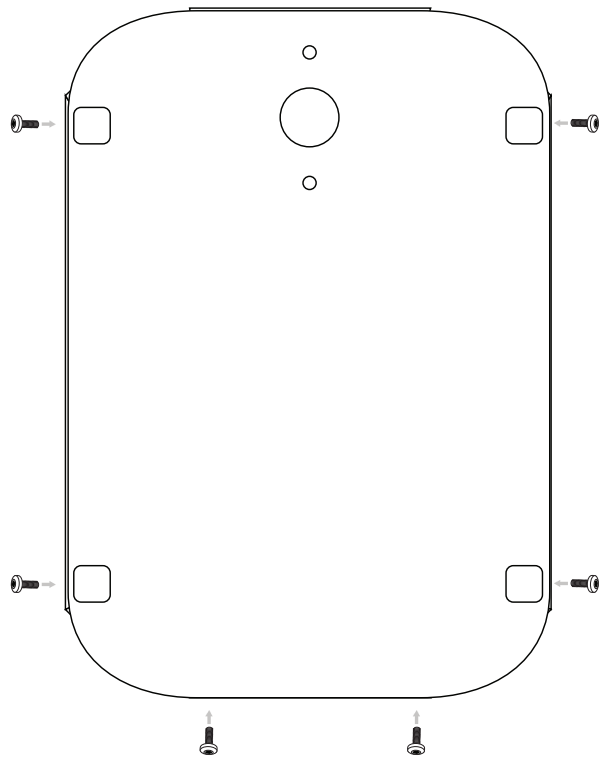
**ÉTAPE 8**

Prenez le couvercle et fermez le caisson en métal. Il n'y a qu'un sens correct.



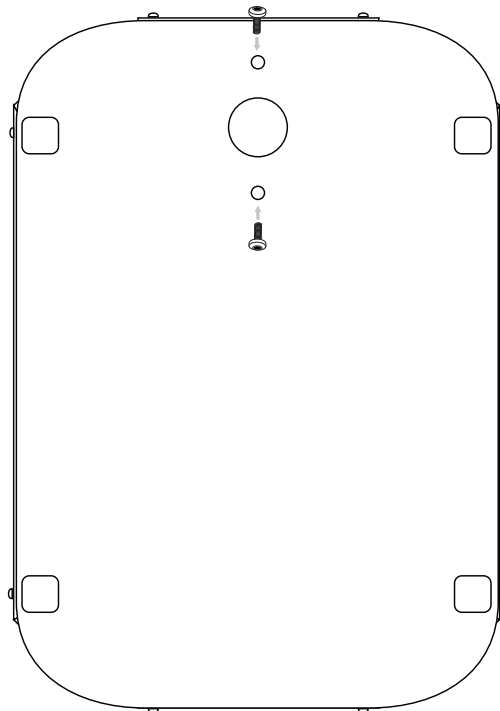
ÉTAPE 9a

**Fixez le couvercle avec six vis M6
comme indiqué sur l'image et en
les vissant bien.**



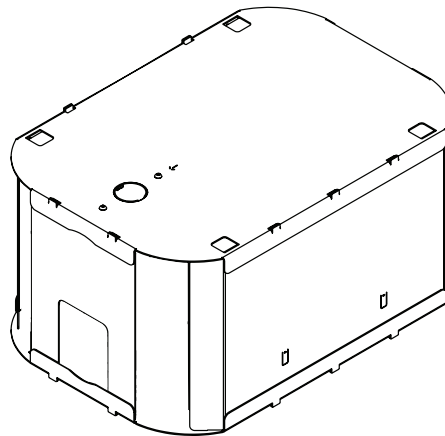
ÉTAPE 9b

**Fixez le couvercle avec deux vis
M6 et en les vissant bien.**

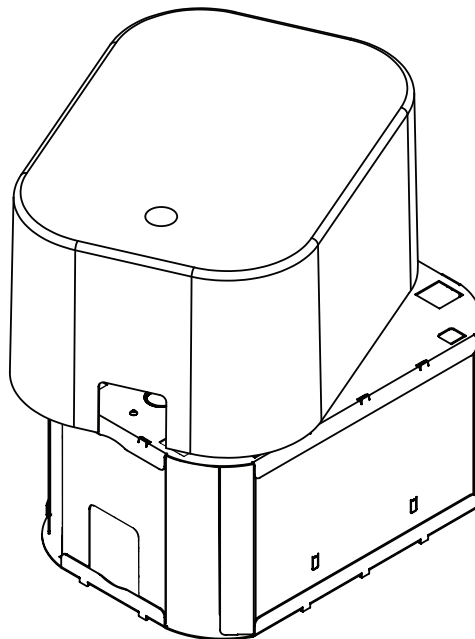


ÉTAPE 10

Prenez le caisson en métal vers sa destination finale.

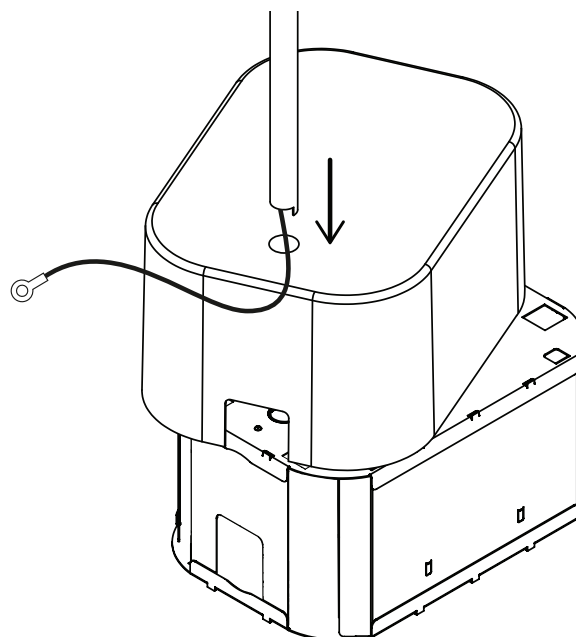
**ÉTAPE 11**

Placez le cache-caisson sur le caisson en métal. Utilisez l'anneau plastique pour protéger le tube droit.

**ÉTAPE 12**

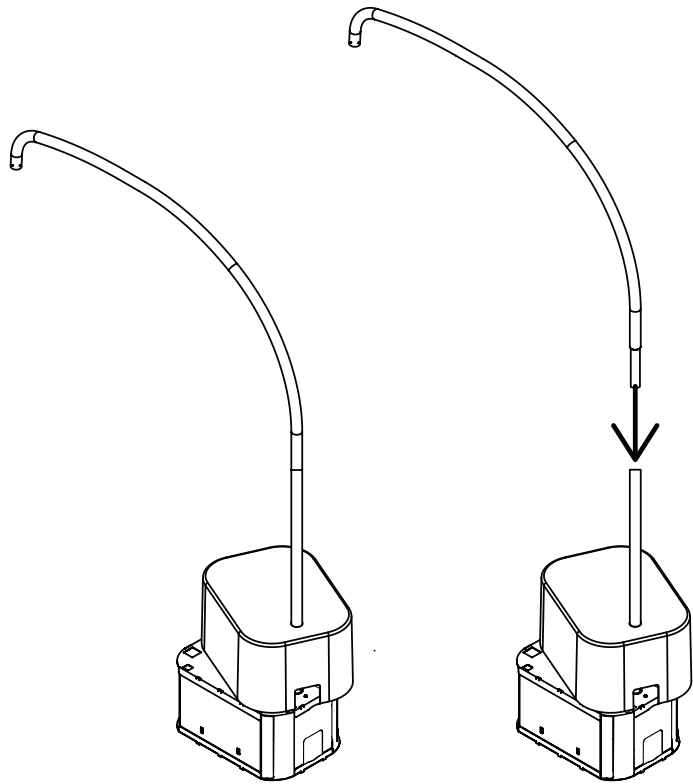
Placez le tube droit dans le trou.

Assurez-vous que le fil de terre vert et jaune se trouve à l'intérieur de l'ouverture et s'étend du bas à travers l'ouverture du caisson en métal.



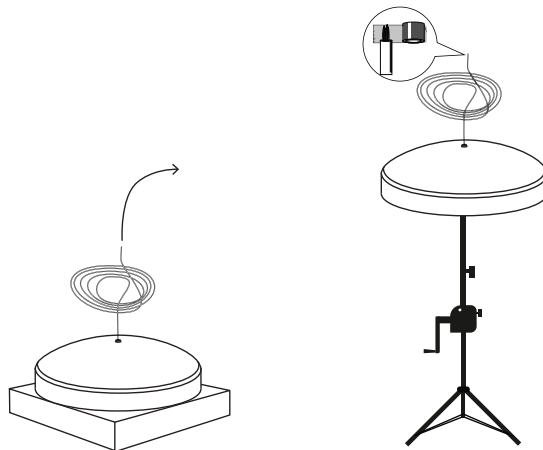
ÉTAPE 13

Prenez l'arc et fixez-le à la partie inférieure.

**ÉTAPE 14**

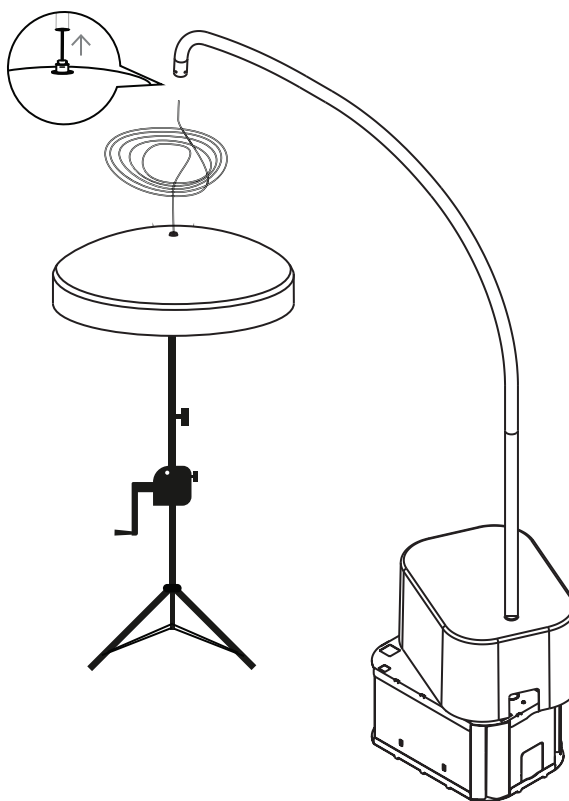
Utilisez un trépied mécanique pour soulever le DISC. Si vous n'avez pas de trépied, utilisez la boîte pour soulever le DISC.

TIP: Utilisez un morceau de ruban adhésif pour maintenir les câbles ensemble. Cela facilite leur chemin dans le tube.

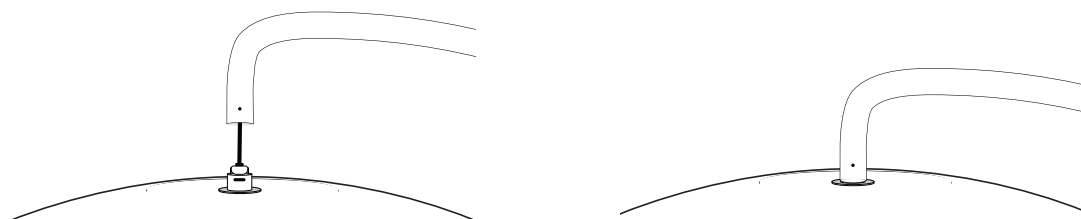


ÉTAPE 15

Poussez le câble à travers l'arc.
Continuez à pousser jusqu'à ce que vous puissiez l'atteindre à travers la brèche au fond du caisson en métal.

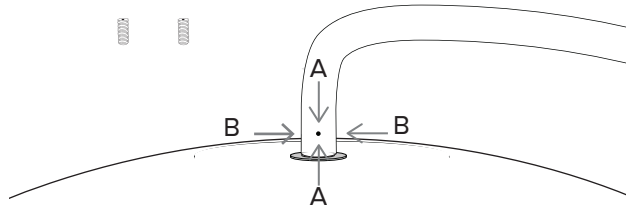
**ÉTAPE 16**

Tournez l'arc juste au-dessus du DISC. Soulevez le DISC jusqu'à ce que la pièce d'accouplement soit dans le tube.



ÉTAPE 17a

Identifiez les trous dans le support de montage, assurez-vous qu'ils correspondent aux trous A illustrés à droite. Fixez le DISC à l'aide de deux vis de réglage M6.

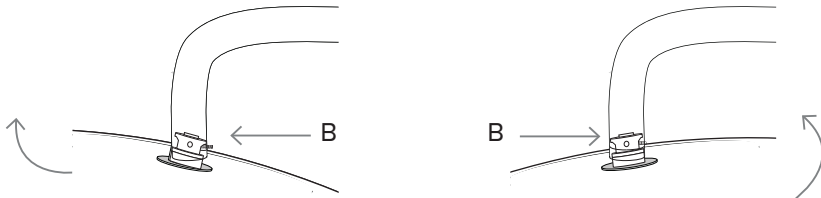


NOTE: NE PAS les serrer complètement, ils doivent dépasser de 1/16 de pouce.

NOTE: Utilisez les vis de réglage noires ou grises en fonction de la couleur de votre DISC.

ÉTAPE 17b

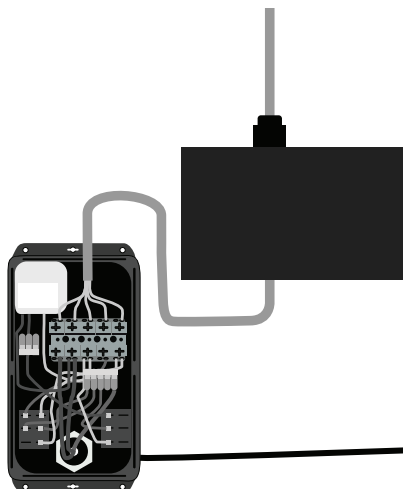
Fixez deux vis de réglage dans les trous B pour régler le levage et le niveau du DISC afin qu'il soit parallèle au sol en insérant ou en dévissant les vis de réglage. Serrez-les complètement.



ÉTAPE 18





Ouvrez le boîtier de commande. Passez le câble par le haut du boîtier.

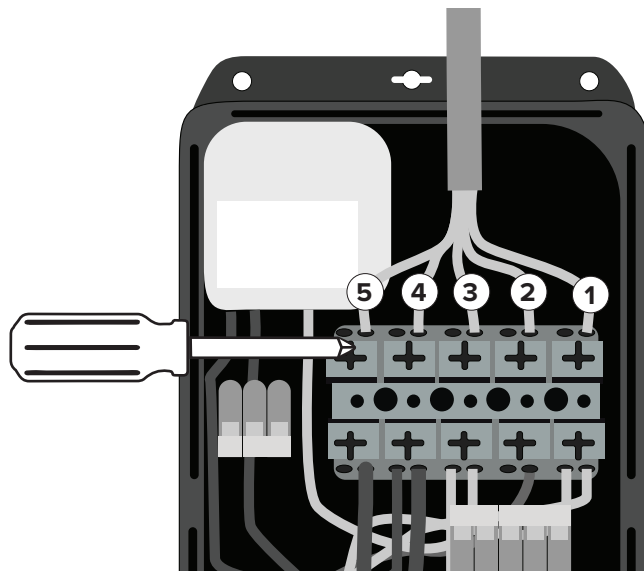
Assurez-vous que les autres fils du boîtier de commande ne sont pas déconnectés pendant ce processus.



ÉTAPE 19

Mettez les câbles dans les trous correspondants.

Numéro de fil	Couleur du fil	Pictogramme
1	NOIR	
2	GRIS	
3	MARRON	
4	BLEU	N
5	VERT/JAUNE	

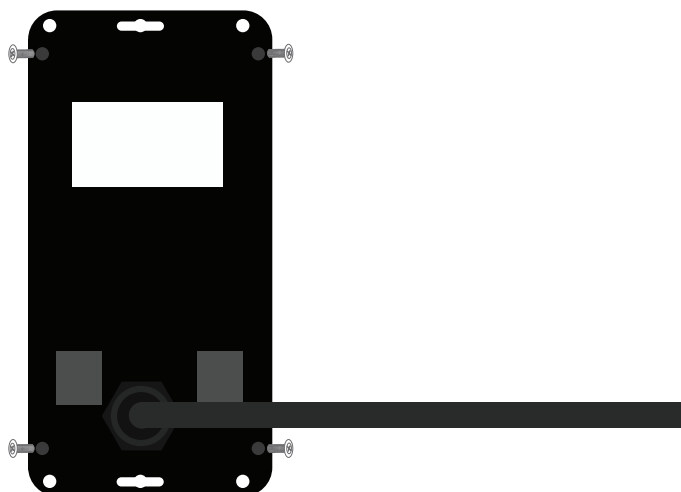


Poussez vers le bas avec un tournevis (comme indiqué ci-dessus) et insérez le câble. Quand le câble est en place, relâchez la pression et il restera en place.

Vérifiez que tous les câbles soient bien fixés en tirant doucement sur les câbles. Vous trouverez le schéma de câblage à la page 57.

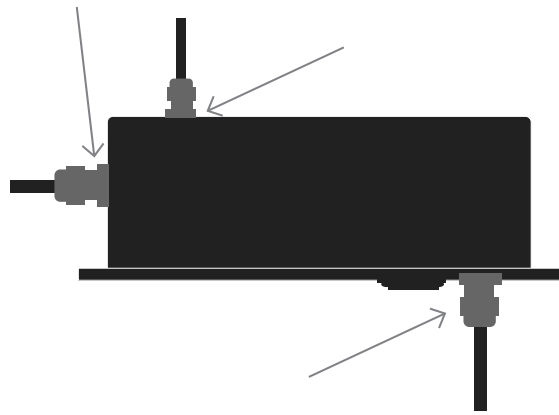
ÉTAPE 20

Fermez le boîtier de commande et fixez les deux parties de la boîte avec quatre vis.

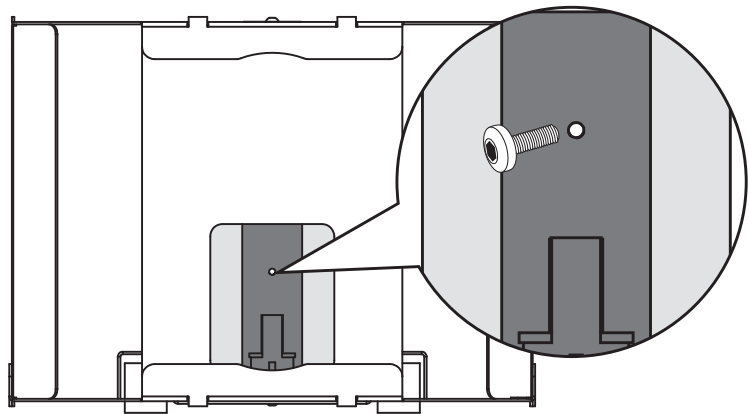


ÉTAPE 21

Serrez les trois capuchons de câble pour empêcher toute entrée.

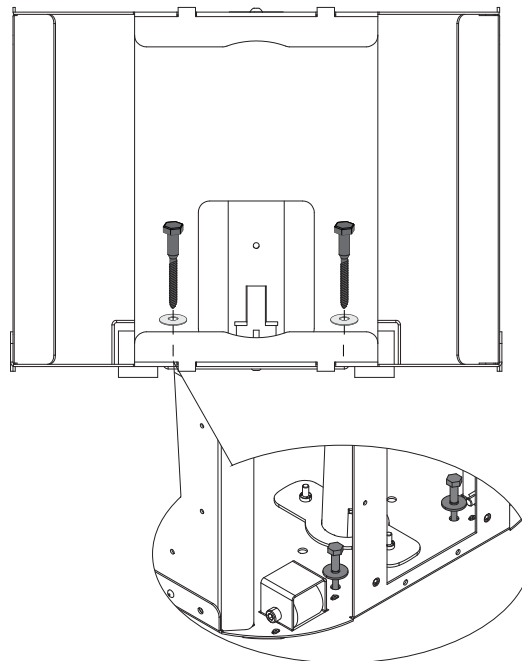
**ÉTAPE 22**

Serrez la vis M6 sur le tube droit.
(Voir étape 6).

**ÉTAPE 23**

Déplacez le DISC vers sa destination finale. Percez un trou dans le sol et ancrez votre DISC avec les vis de plancher.

NOTE: Si cette vis de plancher ne convient pas à votre surface, recherchez la bonne vis de plancher dans votre quincaillerie locale.

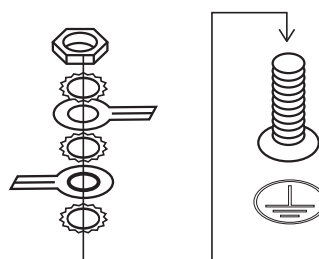
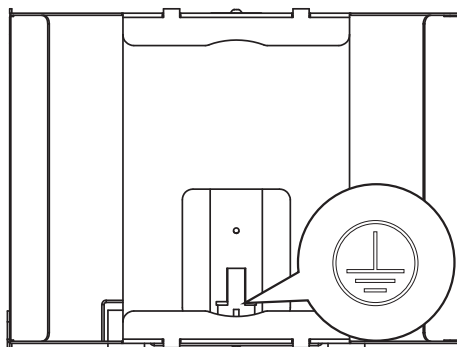


ÉTAPE 24

Recherchez le goujon de mise à la terre avec le symbole de mise à la terre.

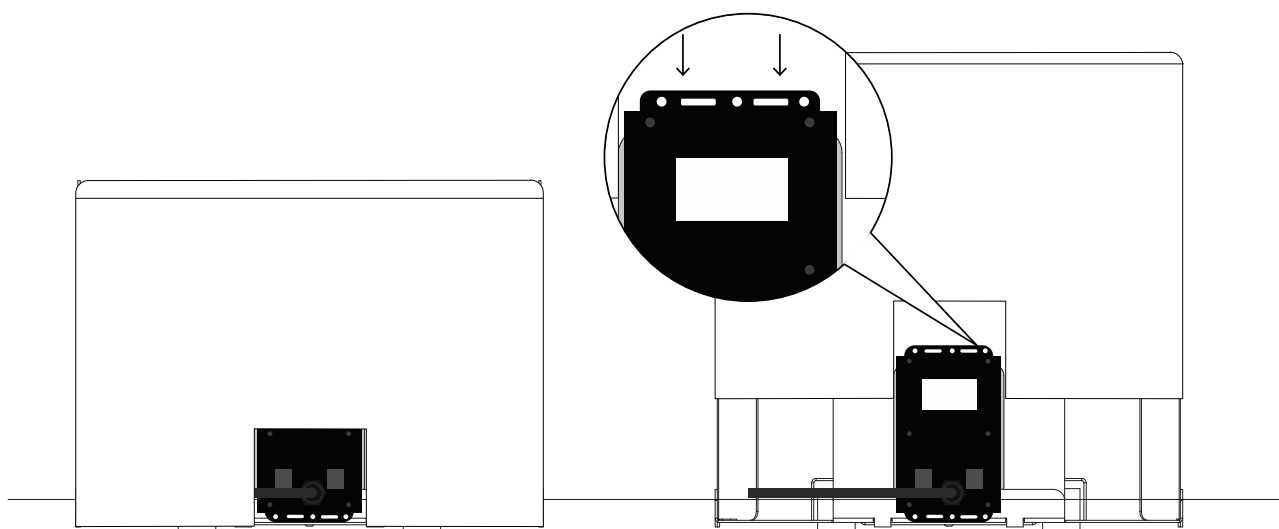
(voir l'image à droite)

Fixez les deux fils de mise à la terre (vert et jaune) du tube et du boîtier de commande au goujon, en superposant les rondelles de blocage et les fils comme illustré. Fixez avec l'écrou M6 fourni, à l'aide d'une clé ou d'une douille M10.



ÉTAPE 25

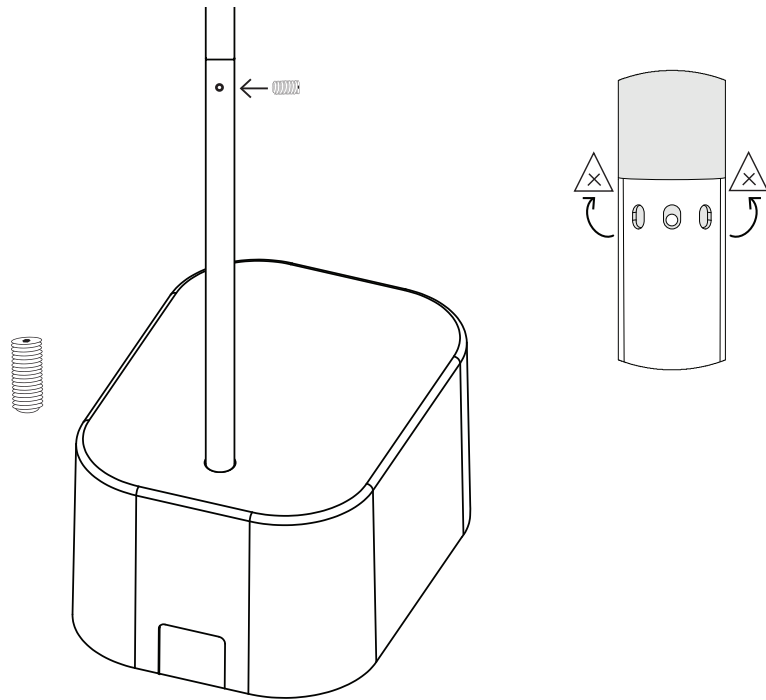
Poussez le boîtier de commande dans l'espace. Fixez le boîtier en utilisant les vis M4. Enfin, glissez le cache-caisson sur le caisson en métal.



ÉTAPE 26

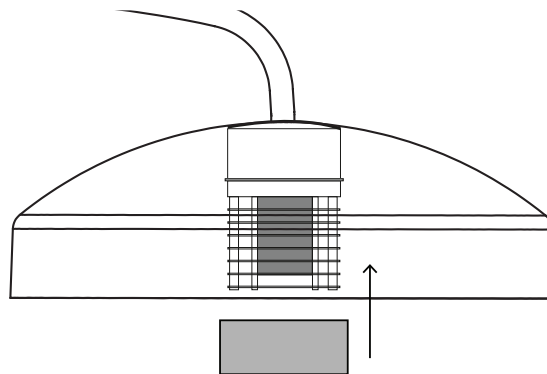
Utilisez la vis de réglage M6 pour fixer les deux parties du tube.

ATTENTION! Pour assurer la stabilité, utilisez uniquement le trou central d'arc.



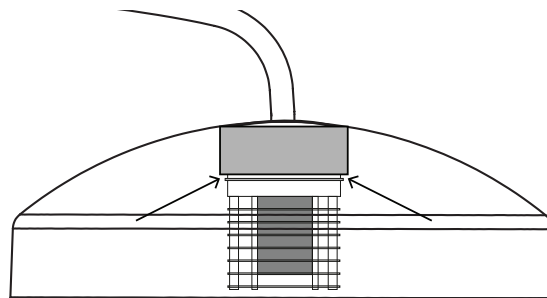
ÉTAPE 27

Soulevez le verre vers le haut jusqu'à ce qu'il touche le DISC.



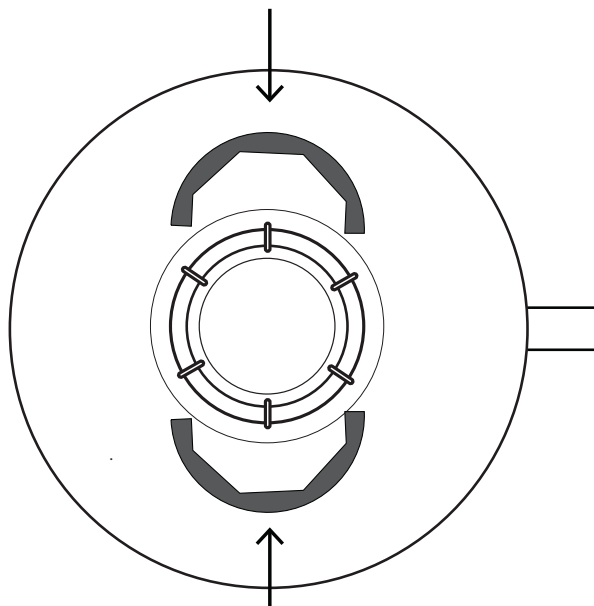
ÉTAPE 28

Position des deux anneaux décoratifs.



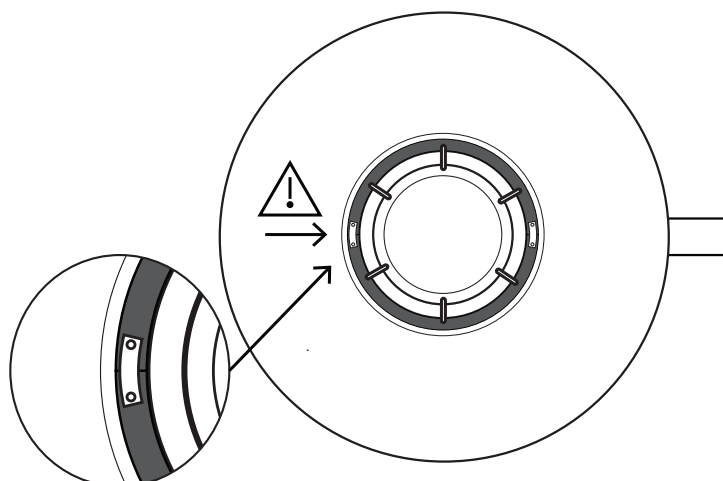
ÉTAPE 29

Utilisez les deux anneaux décoratifs pour tenir le verre.

**ÉTAPE 30**

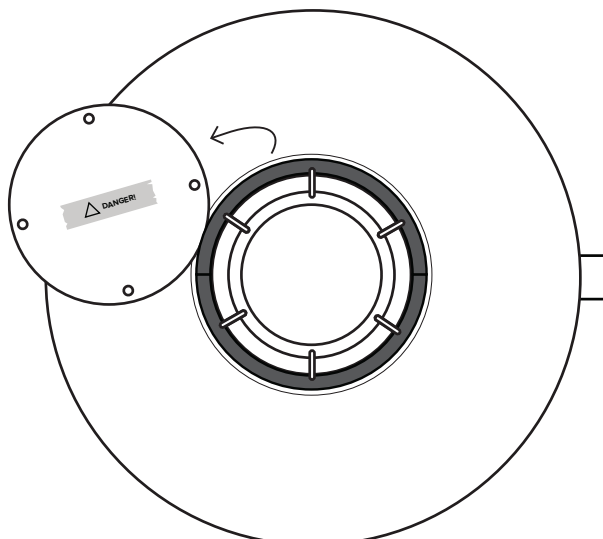
Les deux anneaux décoratifs doivent s'adapter sans couture. Ajustez la position si nécessaire.

Connectez des deux anneaux décoratifs à l'aide des goujons et écrous M3 et des ponts métalliques.

**ÉTAPE 31**

Recherchez et identifiez la plaque de protection, puis retirez-la en coupant les trois attaches zippées. Assurez-vous que tous les décalcomanies au bas de la plaque et de l'élément chauffant sont retirés, le cas échéant.

Profitez de votre tout nouveau DISC!



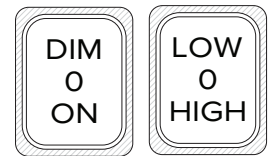
7. Opération

Activez votre DISC

Après avoir branché le DISC sur une prise secteur appropriée, vous pouvez le mettre sous tension. L'interrupteur de droite (marqué LOW – 0 – HIGH) règle le chauffage. Sur la position « LOW », seul les trois éléments chauffants latéraux fonctionnent. Sur « HIGH », les 5 éléments latéraux et l'élément circulaire céramique du bas fonctionnent. Sur « 0 », le chauffage est éteint.

Après avoir mis le DISC sous tension, il faut compter environ 30 minutes avant qu'il atteigne sa température maximale. De même, lorsque vous l'éteignez, il met près de 40 minutes avant qu'il ne soit entièrement refroidi.

L'interrupteur de gauche (marqué DIM – 0 – ON) règle la lumière.



Se trouve au dos de votre DISC

"DIM"

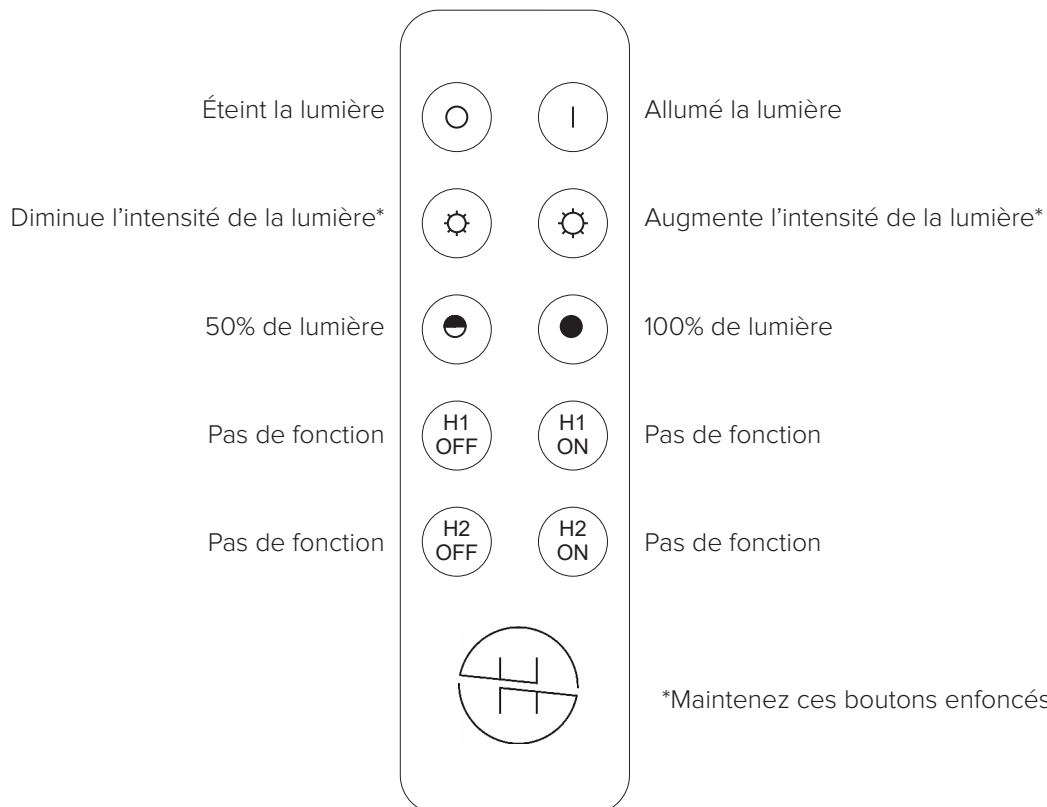
Contrôle la lumière avec télécommande

"0" LUMIÈRE ÉTEINDRE

Éteint la lumière sans télécommande

"ON" LUMIÈRE ALLUMÉE

Allume la lumière sans télécommande



Vue de haut

8. Dépannage

Avant d'effectuer des travaux au DISC, l'appareil doit être débranché du disjoncteur principal de l'installation.

L'éclairage ne fonctionne pas

Mettez l'appareil hors tension. Retirez les deux anneaux décoratifs. Puis en glissant prudemment le verre vers le bas. Maintenant, vous avez accès à l'ampoule halogène. Vérifiez qu'elle soit bien insérée et intacte. Si vous avez besoin de changer l'ampoule, remplacez-la par une R7S standard 78 mm, 120 W.

Attention: Utilisez un chiffon ou des gants pour remplacer l'ampoule, la toucher avec les mains raccourcit considérablement sa durée de vie.
(Étape 18-19)

Si cela ne fonctionne toujours pas, essayez de reprogrammer la télécommande. (voir pages suivantes).

Le chauffage ne fonctionne pas

Aucun des éléments de chauffage ne fonctionne. Vérifiez votre alimentation (réglée sur HIGH). Vérifiez que tous les fils soient bien connectés. (Étape 18-19)

Le chauffage ne fonctionne que partiellement

Soit 3 éléments latéraux, soit 2 éléments latéraux et l'élément inférieur. Le fil noir ou gris n'est pas bien connecté. (Étape 18-19)

Rien ne fonctionne

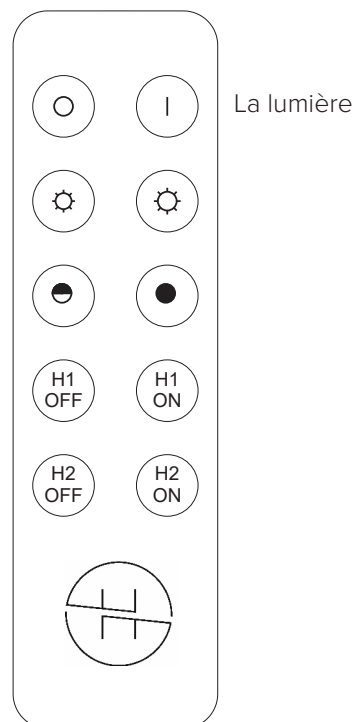
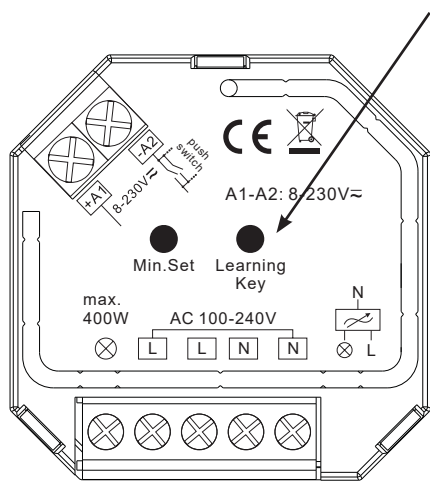
Vérifiez que tous les fils soient correctement insérés dans le bloc de connexion. (Étape 18-19)

Vérifiez que le brancheur principal s'est déclenché. Vérifiez que le fusible soit allumé, fermez la commande et réessayez.

Reprogrammer la télécommande

Ouvrez le boîtier de commande et localisez le module variateur

- (1) Mettez l'alimentation principale sous tension
- (2) Prenez garde à tout câblage exposé
- (3) Localisez la "Learning Key" sur le module variateur










Enregistrez les émetteurs avec le récepteur

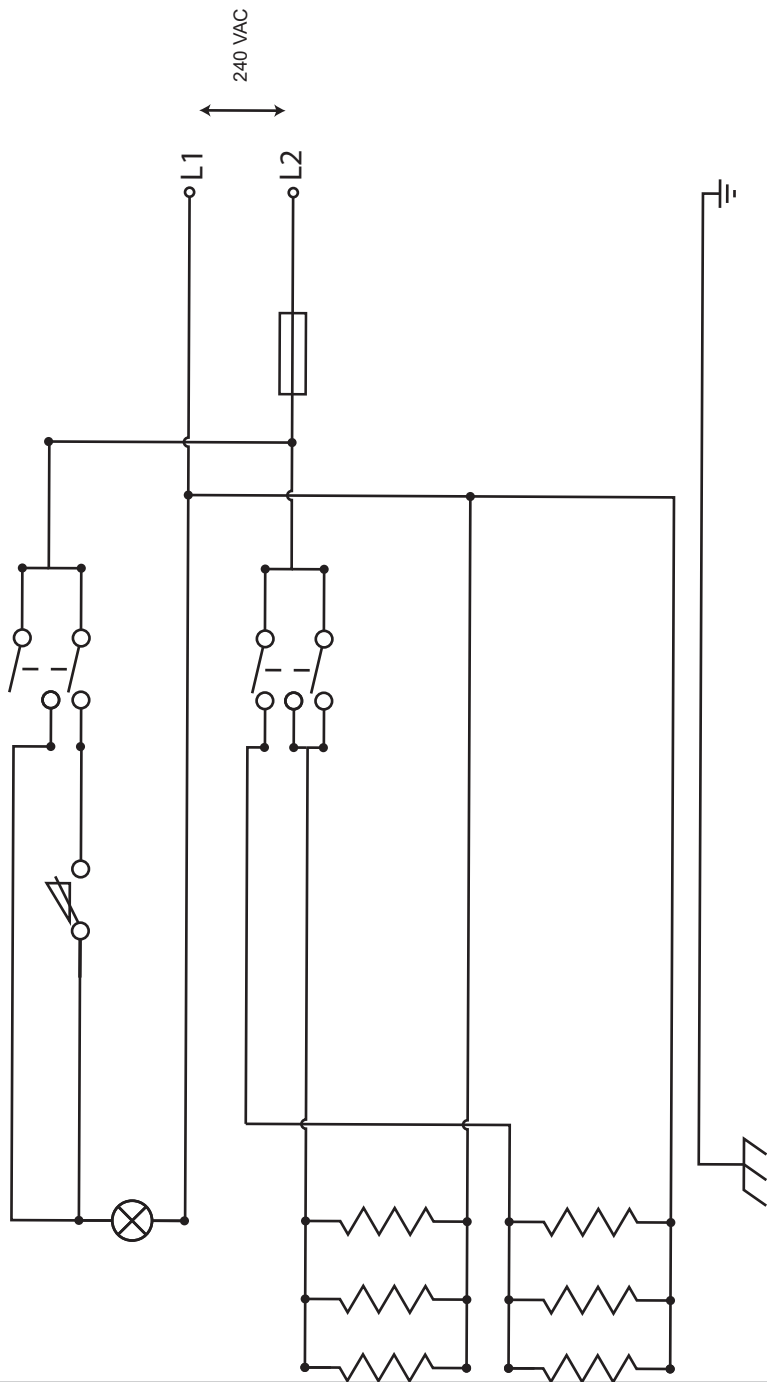
- (1) Appuyez sur le bouton "Learning Key" pendant 1 seconde. Le mode de recherche est actif pendant une courte période.
- (2) Envoyez un signal en appuyant sur un bouton de la télécommande. Si c'est la première fois que vous utilisez la télécommande, assurez-vous que le film protecteur collé à la pile de la télécommande ait été retiré.
- (3) Le récepteur stockera tous les codes de transmission dans le hack. Si la télécommande est correctement connectée au module, la lumière du DISC s'allumera brièvement. (1-2 secondes).

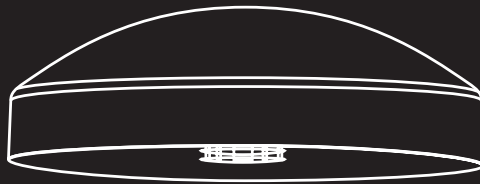
Si vous souhaitez connecter différents gradateurs sur une télécommande, répétez ces étapes sur chaque module pour un maximum de 8 codes de transmission différents. Si vous éteignez ou déplacez le DISC, ces codes de transmission resteront stockés dans la mémoire.

Déconnectez la télécommande

Mettez l'interrupteur de gauche (marqué DIM - 0 - ON) sur DIM, dans les 30 secondes appuyez sur le bouton d'arrêt de la télécommande pendant 6 secondes. La lumière s'allume et s'éteint. La télécommande est maintenant déconnectée.

	LAMP 120 W 240V
	SWITCH - button or module
	HEATING ELEMENTS
	DIMMER MODULE
	GROUND
	GROUND CHASSIS
	FUSE





ÉCLAIRAGE INTEMPOREL DISC®
AVEC CHAUFFAGE POUR VOTRE JARDIN OU TERRASSE



ANTIROUILLE &
ÉTANCHE



FAIBLE CONSOMMATION
D'ÉNERGIE
ZÉRO ÉMISSION DE CO2



ENTRETIEN
MINIMUM





HEATSAIL

EXTEND YOUR GREAT MOMENTS

HEATSAIL USA Inc.

10440 N Central Expressway
Dallas, Texas 75231
United States

+32 3 502 99 88
sales@heatsail.com

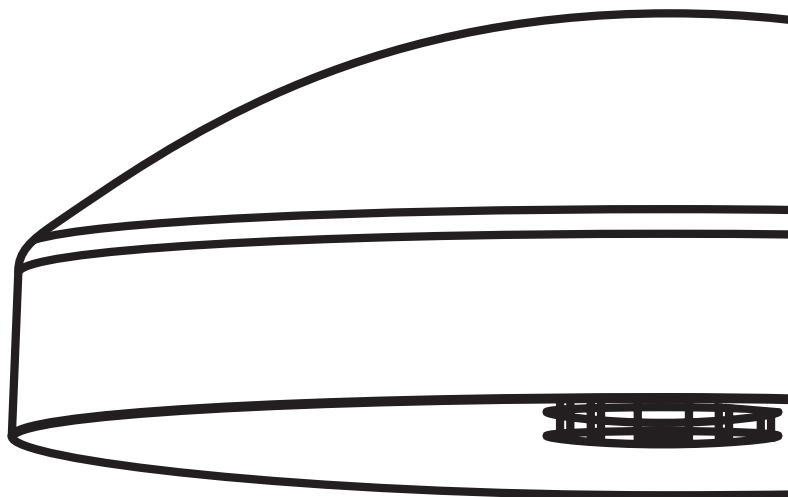
www.heatsail.com

HEATSAIL NV

Prins Boudewijnlaan 7 Unit A 08
2550 Kontich
Belgium

+32 3 502 99 88
info@heatsail.com

www.heatsail.com



SERIAL NUMBER