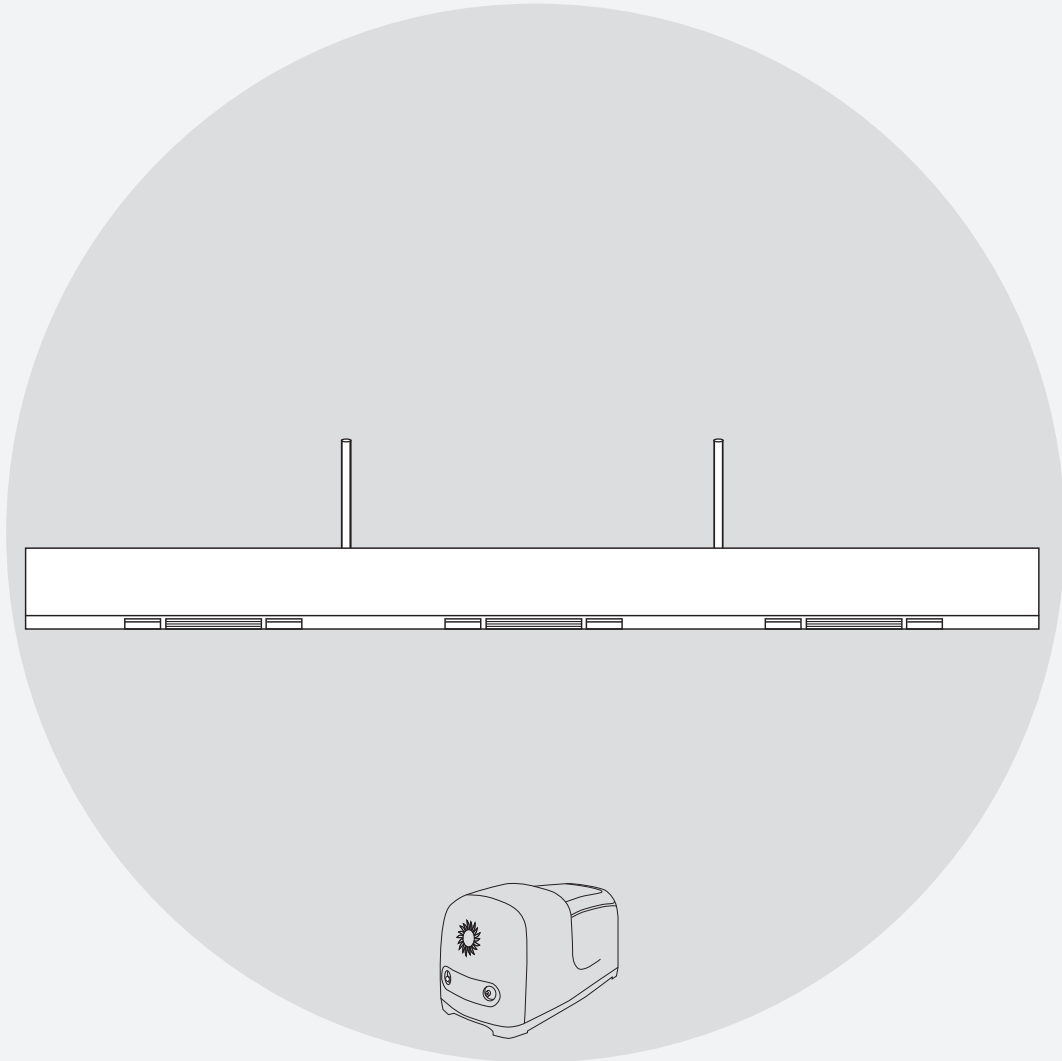




# HEATSAIL

EXTEND YOUR GREAT MOMENTS



## BEEM<sup>®</sup> WITH MISTING MANUAL

For the most recent version of this manual, check our website.  
Do not discard this manual, as it contains your device's serial number.

SUMMER  
NIGHTS  
SHOULD LAST  
FOREVER

<b>(NL)</b>	<b>HANDLEIDING</b>	<b>4</b>
<b>(EN)</b>	<b>USER MANUAL</b>	<b>17</b>
<b>(FR)</b>	<b>MODE D'EMPLOI</b>	<b>30</b>
<b>(DE)</b>	<b>BETRIEBSANLEITUNG</b>	<b>43</b>

---

## Thank you for your purchase!

This manual is inextricably linked to the misting system of the BEEM® and must always be kept by the user or by the responsible person.

Read the user instructions carefully. It contains essential information about safety, use, cleaning and maintenance of the pump and the misting system of the BEEM. Heatsail cannot be held liable for damage to persons, animals and objects resulting from non-compliance with the instructions in the user manual.

Heatsail reserves the right to make changes to the product, technical features and instructions at any time and without prior notice.

If you resell the BEEM with misting system, transfer it to another user or leave it behind when relocating, the manual must be made available to the new user.

We wish you many warm, cool and pleasant days with our BEEM.

**User manual**

Operating, maintenance and installation.

**Note**

Read this manual carefully before using the device! Do not throw this manual away; it contains the serial number of your device!

## 1. Safety regulations & requirements

The use of the misting system requires an electrical outlet and a water connection with tap. The electrical safety of the device is only assured if it is correctly connected to a grounding system built in accordance with safety regulations. It must be inspected before use. If anything is unclear, a qualified and authorised person must be consulted. Heatsail is not responsible for damage caused by an ungrounded device.

The installation of the misting system of the BEEM requires a mains connection of 110-120V: the connection must be properly implemented in accordance with the applicable IEC-CEI standards.

**Please note:** This product must be installed by a licensed electrician and the power supply connection should be in accordance with the requirements of NFPA 70 and OSHA Regulations 29 CFR 1910.304(b)(2) Statutory and other local regulations may apply.

If the engine is defective and/or unsafe, switch off the machine and do not let it run. Have the machine repaired or replaced.

## 2. Safety

The user should carefully read and understand this manual before any installation and/or operation of the misting system. The user need to follow the installation procedure, working procedure, safety measures and maintenance as standard.

Use only clean water. It is forbidden to use spring water, river water, pond water and other dirty water. Once dirty water has been used the nozzles may block or it may cause blockage this can lead to a shortening of life expectancy.

The misting system must be connected directly to a water tap. The misting system has a self-priming function, prevent air from entering the machine.

The number and size of the nozzles must be within a related range. Otherwise there will not be enough pressure for the misting. It is strictly forbidden to touch machine, thread, machine valve and replace or touch other related parts when the machine is turned on.

## 3. Maintenance

### 3.1 General cleaning

Cleaning of the parts and the hood of the machine may only be done with a dry and soft cloth. Do not use detergents. All volatile and flammable detergents are not allowed.

The nozzles are consumer goods, replace them with new ones as soon as they are blocked.

### 3.2 Monthly cleaning

- Clean or replace the nozzles
- Clean or replace the water filter
- Change the pump oil after the first 20hours to increase pump life

### 3.3 Maintenance after 1000 hours or after 1 year

- Start with the monthly cleaning steps
- Clean or replace the flexible high-pressure hose.
- Check if the L-shaped connectors and T-shaped connectors should be replaced
- Check the pump pressure
- Change the oil of the machine
- Replace the rubber water seal

### 3.4 Maintenance after 2000 hours

- Start with the maintenance after 1000 hours
- Change the carbon brush

### 3.5 Maintenance after 4000 hours

- Start with the maintenance after 2000 hours

### 3.6 Special maintenance for winter or if not used for over two months

- Take out the fittings and dry them out by sunshine
- Drain all water from the system

## 4. Warranty conditions

### 4.1. Warranty

The original invoice will serve as your proof of purchase. This warranty does not affect the buyer's rights by virtue of the national legislation regarding the sale of consumer goods. This warranty is only valid if the misting system of the BEEM installation and maintenance have been carried out in accordance with the applicable standards and regulations and instructions for the installation, use, cleaning and maintenance of the product, by qualified individuals who satisfy the legal requirements.

The warranty term will commence from the date the goods were delivered.

Any defective goods will be received by Heatsail or an authorized Heatsail distributor. Once Heatsail has deemed a fault as a warranty situation, the Heatsail unit(s) will be brought to Heatsail or a local distributor for repair and returned in a timely manner.

Heatsail and its distributors will not award any compensation for any direct or indirect damage resulting from, or relating to, using the product.

The replaced parts will be under warranty for the remainder of the warranty period from the date the goods are delivered.

### 4.2. Warranty exclusions

- The conditions for activating the warranty were not met.
- The parts appear to be defective as a result of negligence or inappropriate use or incorrect maintenance.
- The installation has not been carried out in accordance with the legal standards and not in accordance with the instructions provided in the user manual.
- Any damage caused as a result of weather conditions, chemical and electrochemical reactions, improper use, natural disasters, electrical discharge, fire, a defective electrical installation, modifications or mis-handling to packaging, the handle and the electrical wiring.
- Any damage caused by transport.



We recommend you thoroughly check the goods upon receipt, allowing you to immediately notify the seller of any possible damage and to record any such damage on the transport document and the courier's copy. For example:

- Physical damage after the installation, including, scratches on the misting system of the BEEM, machine and accessories.
- Suspicious tampering with the misting system of the BEEM and/or there causes which can't be attributed to the product's manufacture.
- The use of non-original replacement parts.
- Damage caused through normal wear and tear.

#### **4.3. What to do in the event of a defect?**

In case of a fault, you must contact Heatsail or an authorized distributor immediately (and no later than two months after the fault was first identified) for a repair or replacement. The warranty can only be initiated after written permission has been granted.

Heatsail declines any form of liability for any possible damage and/or injury which has been either directly or indirectly caused to people, animals or objects as a result of non-compliance with the instructions in the user manual and which specifically concern the warnings in relation to the installation, use and maintenance of the device.

## 5. Applicable law

The general terms and conditions and the agreement are governed by Belgian law. The courts of the judicial district of Antwerp shall have exclusive jurisdiction to settle any dispute arising from the agreement.

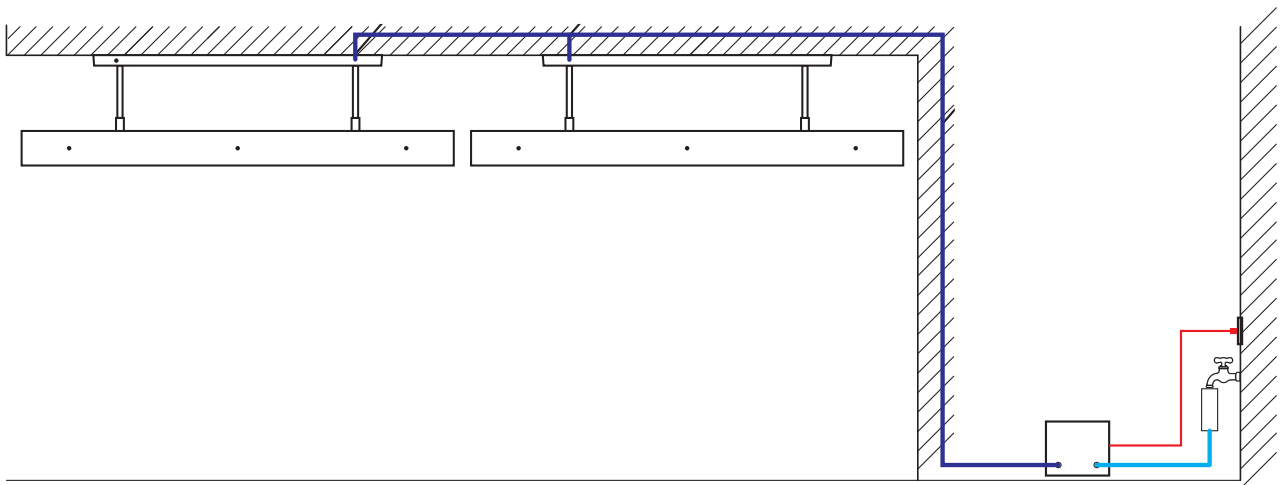
## 6. Assembly and wiring instructions

Open the box and follow these instruction guidelines for a quick installation.

You'll find this inside:

- 1x** pump
- 1x** flexible high-pressure hose of 197 inches (5m)
- 1x** manual

**Below you will find an overview.**



**STEP 1**

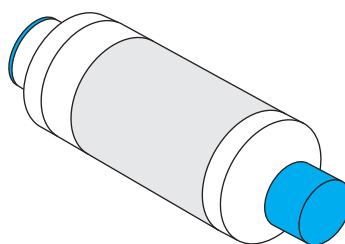
**Open the box carefully.**

Place the box on a flat surface and carefully open the cardboard box.

---

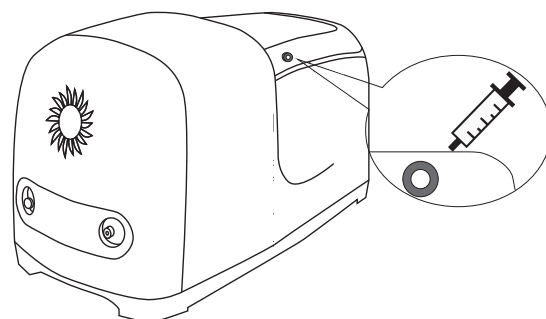
**STEP 2**

**A water filter is recommended. Connect the water filter to the water tap.**



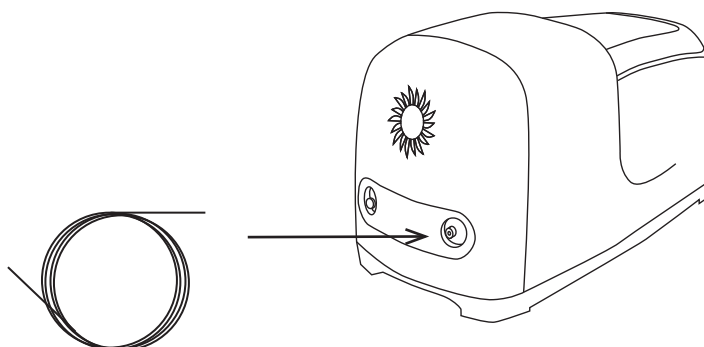
**STEP 3**

**Take off the handle. Fill the pump with 80ml 15W-40 oil by means of the syringe.**



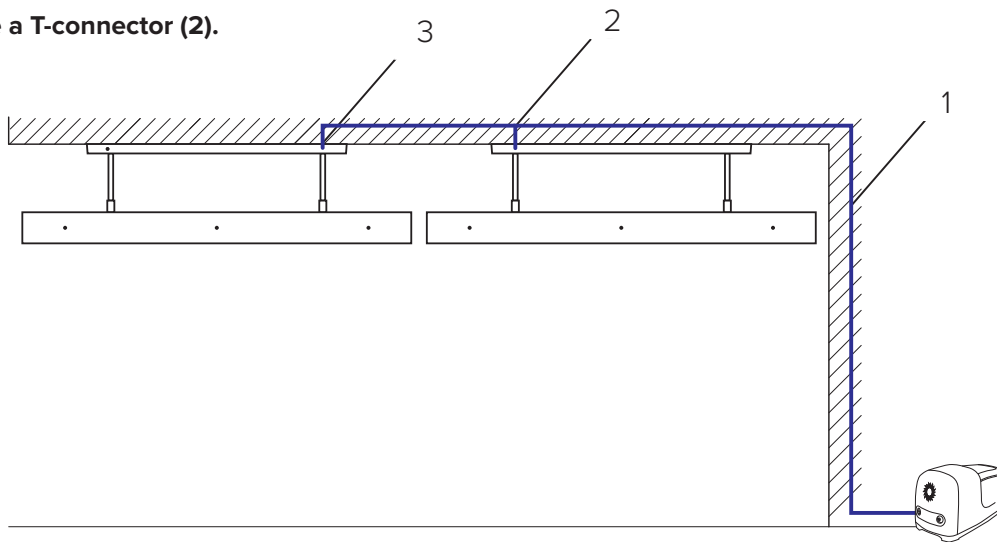
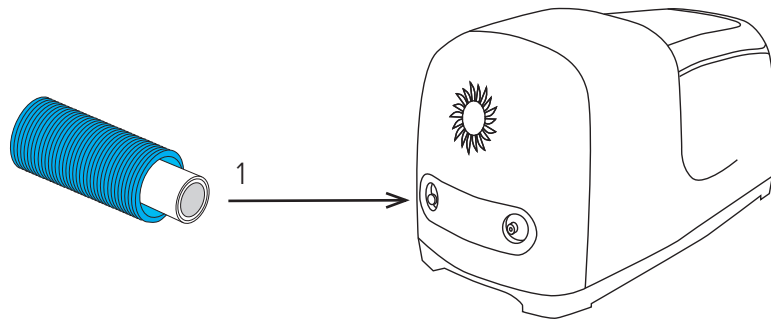
**STEP 4**

**Connect the flexible high-pressure hose of maximum 40 inches (1 meter) to the water filter and use the right connection on the machine. Make sure there is no air in the hose.**



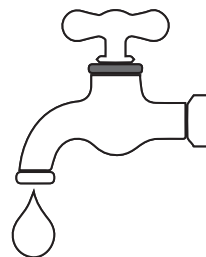
**STEP 4**

Insert the flexible high-pressure hose (1) of the BEEM through the provided pipe/opening. Connect the flexible high-pressure hose (1) to the machine using the left connection. You can use an L-connector (3) if you have sharp corners. If you want to connect several BEEMs to 1 pump, you must use a T-connector (2).



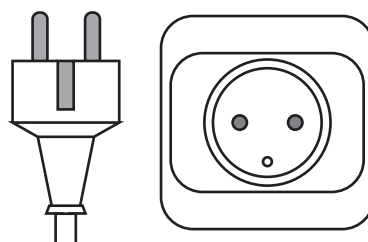
**STEP 5**

Check that all water connections are properly connected and turn the tap halfway open.  
**ATTENTION:** do not open the water tap fully.



**STEP 6**

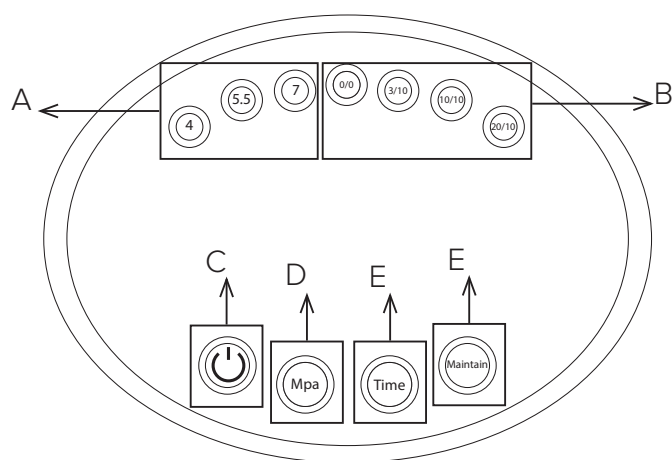
Plug the pump into a suitable 110V outlet and turn on the machine.



## 7. Operation

### Activate the misting system of your BEEM.

After plugging the pump into a suitable outlet and turning the water tap halfway open, you can turn on the pump. You have two options to use the fogging system of your BEEM; either you use the remote control or you use the buttons below. These work as follows:



- (A) display for different pressures.
- (B) display for different spray and pause time.
- (C) power ON/OFF button
- (D) choose different pressure displayed on (A).
- (E) choose different spray and pause time displayed on (B).
- (E) maintenance lamp will go on every 1,000 hours to remind your for maintainance.
- If all lamps are flashing the water is not connected or the pressure is low.

## 8. Troubleshooting

### **The pump does not start**

Check that the plug is not damaged and that it is plugged into a suitable outlet.

### **The working pressure of the machine is below 4Mpa (40Bar)**

- There is air in the pump, remove the flexible high-pressure hose from the pump and let the pump run for a few seconds.
- The water filter is blocked.
- The flexible high-pressure hose for the inlet is longer than 1m.
- There is a problem with the pump cover.

### **The misting system does not work**

- The working pressure of the pump is lower than 4Mpa (40Bar).
- Check that all L-connectors and T-connectors are properly connected. Make sure nothing leaks.
- The water filter is blocked.
- There is a problem with the pump cover.
- The one-way suspension of the nozzle is broken.

### **Some nozzles don't work**

- The one-way suspension of the nozzle is broken.
- Replace the nozzle.

### **The mobile APP is not working**

- Check if you are connected to the bluetooth of the pump.
- Check if you have the latest version of the APP.
- Check if your smartphone is up to date.

### **The pump makes a strange and loud noise**

- There is air in the pump, take out the flexible high-pressure hose and let the pump run for a few seconds.
- There are problems with the pump. Have the machine repaired or replaced.

### **The pump temperature is very high**

- The quality of the oil is not suitable for the machine.
- The machine has to work too hard reduce the pressure.

### **The pump and connectors are leaking**

- Replace the oil.
- Check whether a nut and/or bolt is loose.



BEEM® TIMELESS LIGHTING  
WITH HEATING AND MISTING FOR YOUR GARDEN OR TERRACE



RUSTPROOF &  
WEATHERPROOF



LOW ENERGY USAGE  
ZERO CO2 EMISSION



MINIMUM OF MAIN-  
TENANCE



**Corporate Headquarters  
HEATSAIL NV**

Prins Boudewijnlaan 7 Unit A 08  
2550 Kontich  
Belgium

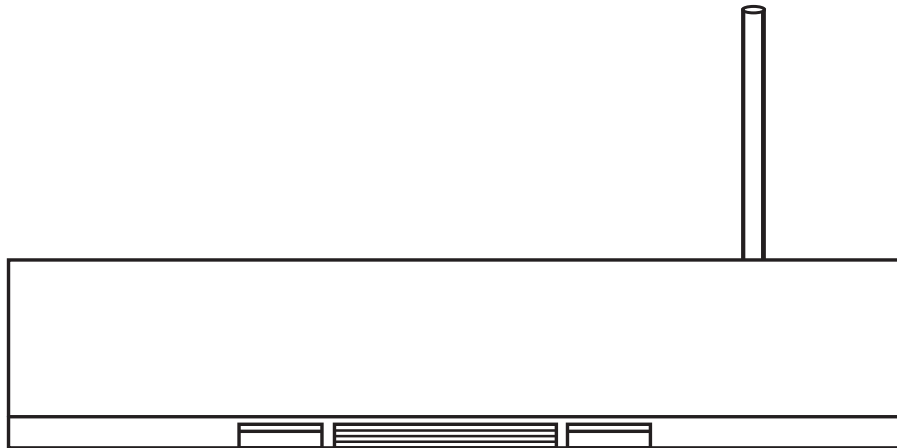
+32 3 502 99 88  
sales@heatsail.com  
www.heatsail.com

**US Office**

**HEATSAIL USA Inc.**

10440 N Central Expressway,  
Suite 800  
Dallas, Texas 75231  
United States

UCM@heatsail.com  
www.heatsail.com/usa



**SERIAL NUMBER**

