



HEATSAIL

EXTEND YOUR GREAT MOMENTS



DOME® MANUAL

For the most recent version of this manual check our website.
<https://heatsail.com/usa/technical-specifications-documentation/>
Do not discard this manual, it contains your device's serial number.

SUMMER
NIGHTS
SHOULD LAST
FOREVER

①	ELECTRICAL SAFETY PROCEDURES	6
②	OPERATIONAL SAFETY	7
③	MAINTENANCE	8
④	WARRANTY CONDITIONS	10
⑤	APPLICABLE LAW	11
⑥	ASSEMBLY AND WIRING INSTRUCTIONS	12
⑦	OPERATION	23
⑧	TROUBLESHOOTING	24
⑨	WIRING DIAGRAM	26

Thank you for your purchase!

This user manual is necessary for the operation of the DOME® and must always be kept by the user or by another authorized responsible person.

Please read through this user manual carefully. It contains essential information regarding the safety, operation, cleaning and maintenance of the DOME. Heatsail will not be held responsible for injury and/or damage to people, animals and subjects resulting from noncompliance with the instructions in this user manual.

Heatsail reserves the right to make changes to the product, the technical features and the user manual at any time and without the need for prior notice.

If you decide to sell the DOME, transfer it to another user or leave it behind when moving, this manual must be made available to the new user.

We would like to wish you plenty of warm and pleasant evenings with our DOME!

The HEATSAIL team

User manual

Operating, maintenance and installation guide.

Attention

Please read through these instructions carefully before using your DOME.
Do not discard this manual, as it contains your device's serial number.

Statements

For RoHS, REACH and Proposition 65 statements, please visit our website at heatsail.com



WARNING

- **INGESTION HAZARD:** this product contains a button cell or coin battery.
- **DEATH** of serious injury can occur if ingested.
- A swallowed button cell or coin battery can cause **Internal Chemical Burns** in as little as **2 hours**.
- KEEP new and used batteries **OUT OF REACH OF CHILDREN**.
- **Seek immediate medical attention** if a battery is suspected to be swallowed or inserted inside any part of the body.



1. Electrical safety procedures & requirements

The use of the DOME requires an electrical installation with reliable safety grounding. The installation's electrical safety can only be guaranteed if the device has been correctly connected to a grounding (earthing) system built in accordance with the safety instructions. A preliminary inspection is absolutely essential. In the event of any uncertainty, a careful inspection must be made by a qualified and authorized technician. Heatsail will not be held responsible for injury and/or damage resulting from an ungrounded installation.

The installation of the DOME's electrical components requires a main connection of 240V-60Hz (16 amp fuse and appropriate RCD): the connection must be properly implemented in accordance with the applicable IEC-CEI standards.

Please note: This product must be installed by a licensed electrician and the power supply connection should be in accordance with the requirements of NFPA 70 and OSHA Regulations 29 CFR 1910.304(b)(2) Statutory and other local regulations may apply.

Before carrying out any maintenance or other work, the power supply must be disconnected by a licensed electrician. Use Lock-out/Tagout procedures to ensure that the power can't be switched on again accidentally.

Adapters, power strips and extension cords may not be used for the DOME's electrical supply. A switch must be installed between the DOME and the fuse box at all times. Noncompliance with these instructions may compromise the safety of the device. Heatsail will not be held liable for any damage resulting from these issues.

2. Operational Safety

A minimum clear height of 71 inches (1.80 meters) must be observed for the DOME, measured between the ground and bottom of the lowest heating element at the time of installation.

Children near the product must be under adult supervision when it's in use. This product is not intended to be operated by children, to be played with or to be played on. The DOME must be kept out of reach of anyone incapable of assessing the risks which can arise from the (improper) use of electrical equipment.

Do not use the DOME in small rooms when occupied by persons not capable of leaving the room on their own, unless constant supervision is provided.

CAUTION: The DOME can create extremely high temperatures and can cause burns. The DOME should never be touched once it has been switched on.

Particular attention should be paid when children and vulnerable persons are present.

The DOME will remain hot for a considerable period of time after it has been switched off. Do not touch the DOME for a period of 40 minutes after it has been switched off.

Caution should be exercised at all times. The grill does not offer protection against the heat.

The DOME must never be used when the glass is damaged.

The DOME may not be used with a timer or any device that can automatically switch on the heating, as there is a risk of fire if the DOME has been incorrectly positioned or if items have been placed within the minimum safe operating distance.

Never use the DOME in the immediate vicinity of a bath, jacuzzi, shower or swimming pool.

To reduce the risk of fire, keep textiles, curtains and any other flammable material a minimum distance of 40 inches (1 meter) from the DOME.

Never cover your DOME without disconnecting power to the unit.

The DOME must never be touched with bare, wet or damp body parts.

The DOME is constructed of six high radiance ceramic heating elements mounted on a reflective plate. The full operating temperature will be reached within 30 minutes.

Please note: There is no noticeable glow in the infrared area.

Never use the DOME to light anything. The ceramic elements are fragile and must be handled with care. The same also applies to the glass casing.

Always ensure that the DOME is anchored on a flat surface before use.



Always keep the DOME free of snow.

The dome is not allowed for use in greenhouses or building sites.

Heatsail will not be held responsible for damage resulting from noncompliance with the instructions regarding use and maintenance.

3. Maintenance

3.1 Cleaning

Your DOME must be cleaned on a monthly basis.

The electrical supply must be disconnected via the installation's breaker switch and by disconnecting the wiring before cleaning activities can commence. Cleaning may only be done with a soft, dry cloth. Do not use any abrasive cloths. Do not use detergents. Using a high pressure and/or steam cleaner is prohibited. Cleaning is only permitted once the DOME has completely cooled down.

Noncompliance with these rules may compromise the safety of the device. Heatsail will not be held responsible for damage resulting from noncompliance with the cleaning instructions.

3.2. Replacing the bulb and remote control battery

Your DOME is supplied with an R7S 240V/120 watt (78mm) halogen bulb as standard. The maximum permitted output power of the bulb is 120 watts.

The electrical supply must be disconnected via the installation's breaker switch before the bulb can be replaced.

You can replace the bulb by carefully sliding the glass upwards. Use a tool (like a screwdriver) to hold up the glass. The bulb is held in place by a spring. Remove the bulb by first pushing it to the left or right and thereby releasing it from its socket. Then replace the bulb and reverse previous steps.

Please note: Be careful never to touch the halogen bulb with bare fingers, as oils from skin will significantly reduce bulb life.

If you need to change the battery of the remote control, a CR2025 button cell battery of 3V is required. Discard the old battery with care.

3.3. Inspection

The DOME must be subjected to an annual inspection.

The user is not authorized to carry out his own inspections and repairs. Inspection of the DOME must exclusively be carried out by qualified and authorized technicians, in accordance with Heatsail's applicable standards and regulations. "Qualified technicians" are understood to mean: qualified electricians who are familiar with the applicable electrical laws and regulations in accordance with the requirements of NFPA 70 and OSHA Regulations 29 CFR 1910.304(b)(2).

The electrical supply must be disconnected via the installation's main breaker or by disconnecting the plug before any work can be carried out.

All repairs must be requested via an authorized distributor of Heatsail products. A repair is only valid when original parts have been used.

Upon written approval by Heatsail, the entire control panel should be returned in case of a defective cable.

Heatsail will not be held responsible for damage resulting from noncompliance with the maintenance instructions.

4. Warranty conditions

4.1. Warranty

Your DOME comes with a two year, limited warranty. The original invoice will serve as your proof of purchase. This warranty does not affect the buyer's rights by virtue of the national legislation regarding the sale of consumer goods.

This warranty is only valid if the DOME's installation and maintenance have been carried out in accordance with the applicable standards and regulations and instructions for the installation, use, cleaning and maintenance of the product by qualified individuals who satisfy the legal requirements.

The warranty term will commence from the date the goods were delivered.

Any defective goods will be reviewed by an authorized Heatsail distributor. Once Heatsail has deemed a fault as a warranty situation, the Heatsail unit(s) will be brought to a local distributor for repair and returned in a timely manner.

Heatsail and its distributors will not award any compensation for any direct or indirect damage resulting from, or relating to, using the product.

The replaced parts will be under warranty for the remainder of the warranty period from the date the goods are delivered.

4.2. Warranty exclusions

- The conditions for activating the warranty were not met.
- The parts appear to be defective as a result of negligence or inappropriate use or incorrect maintenance.
- The installation has not been carried out in accordance with the legal standards and not in accordance with the instructions provided in the user manual.
- Any damage caused as a result of weather conditions, chemical and electrochemical reactions, improper use, natural disasters, electrical discharge, fire, a defective electrical installation, modifications or

- mishandling to packaging, the handle and the electrical wiring.
- Any damage caused by transport.

We recommend you thoroughly check the goods upon receipt, allowing you to immediately notify the seller of any possible damage and to record any such damage on the transport document and the courier's copy.

For example:

- Physical damage after the installation, including glass breakage and scratches on the DOME and accessories.
- Suspicious tampering with the DOME and/or other causes which can't be attributed to the product's manufacture.
- The use of non-original replacement parts.
- Damage caused through normal wear and tear.

4.3. What to do in case of a fault?

In case of a fault, you must contact an authorized distributor immediately (no later than two months after the fault was first identified) for a repair or replacement. The warranty can only be initiated after written permission has been granted.

Heatsail declines any form of liability for any possible damage and/or injury which has been either directly or indirectly caused to people, animals or objects as a result of noncompliance with the instructions in the user manual and which specifically concern the warnings in relation to the installation, use and maintenance of the device.

5. Applicable law – competent court

The general terms and conditions and the agreement are governed by Belgian law. The courts of the judicial district of Antwerp shall have exclusive jurisdiction to settle any dispute arising from the agreement.

6. Assembly and wiring instructions

Open the box and follow these instruction guidelines for a quick installation.

You'll find this inside:

6x	M6 set screws	1x	control box
1x	DOME hood	1x	remote control (wall attachment included)
1x	straight tube	3x	M6 buttonhead screws
1x	curved tube	1x	floor screw assortment
1x	metal box	1x	allen wrench
1x	cover box	9x	ballast weights (15lbs/each)
22x	bricks (6lbs/each)	1x	user manual
1x	small tube of threadlocker*	1x	grounding hardware (M6 nut, 2x lock washers)

*should be disposed immediately after use - do not swallow - keep away from small children.

Requirements

To safely build your DOME, you will need the following tools:



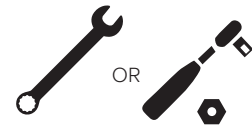
Protective work gloves



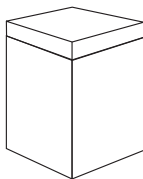
Stable ladder



Phillips-head screwdriver



Box-end wrench or wrench and socket (M10)



Shipping box

OR



A mechanical lift

OR



two strong people to help you lift



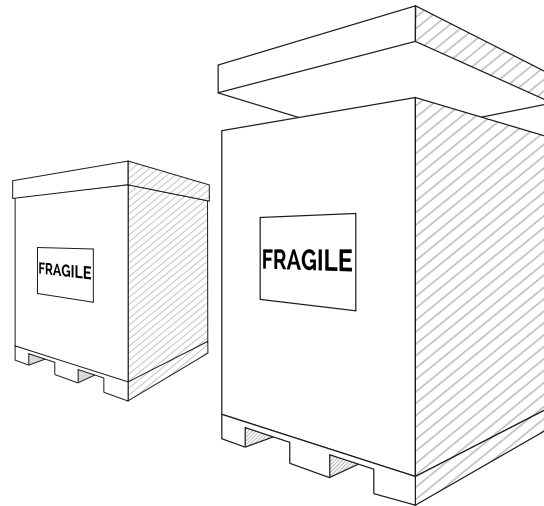
Power drill

STEP 1a

Open your box with care.

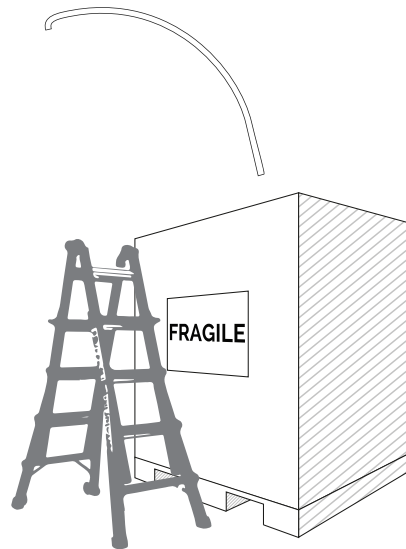
Cut away the pallet straps and remove the top.

(Keep it until after STEP 2)



STEP 1b

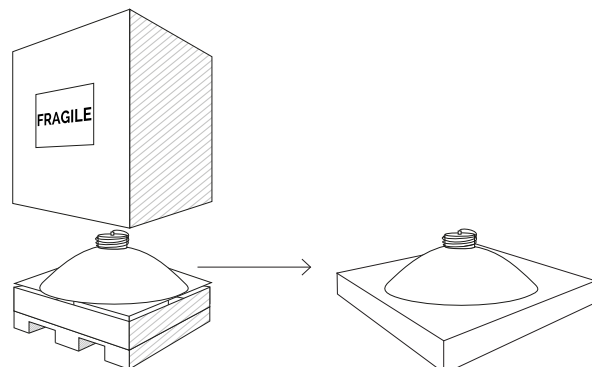
Use a ladder to take out the curved tube.



STEP 2

Lift the box and set aside. Place the DOME on the top section of the box and set aside for now.

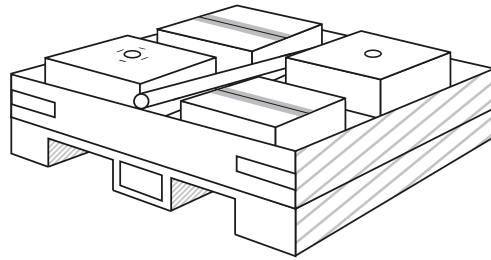
NOTE: Do not carry the DOME by the cable.



STEP 3

Remove remaining items from the pallet.

NOTE: It is a good idea to conduct an inventory of the included pieces/hardware before proceeding.



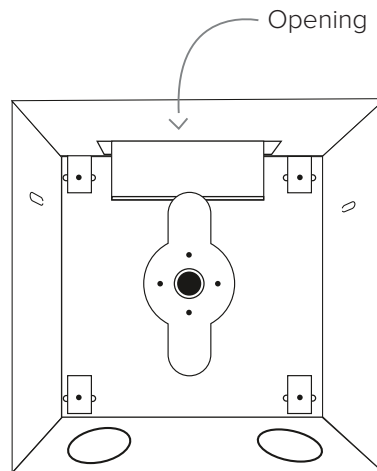
STEP 4

Lift the lid of the metal box and remove 9x ballast weights, the black zip tie, and straight tube.

STEP 5

Take the metal box. Position so that the opening is on the far side.

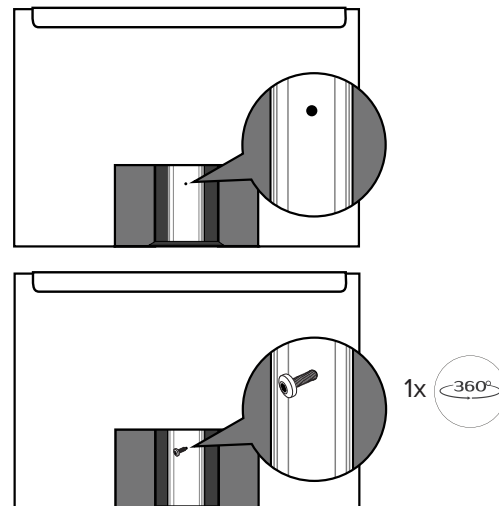
NOTE: Before continuing, be sure you place the metal box where you want the DOME installed for permanent mounting.



STEP 6

Look into opening on side of the metal box and identify the location of the two screw hole. Insert M6 buttonhead screw into the bottom hole of the tube, but DO NOT tighten it fully at this time.

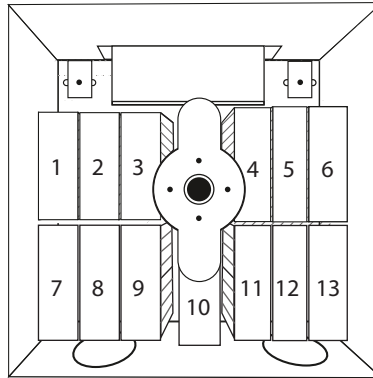
If you opted for a DOME with extended height, use both screw holes, but DO NOT tighten it fully at this time.



STEP 7a

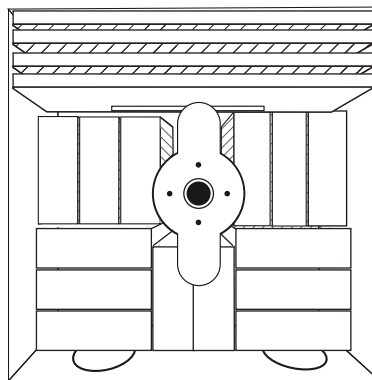
Stack the first level of bricks as shown in the image. The stack orientation is important!

Level 1



STEP 7b

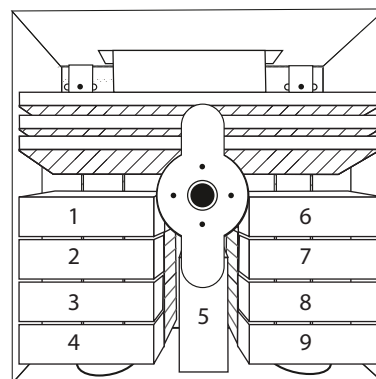
Stack the first four ballast weights as shown in the metal tab/bracket in the metal box.



STEP 7c

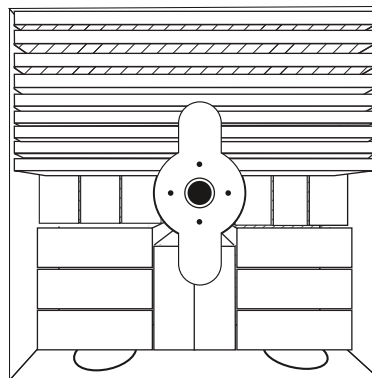
Build a second level of bricks. Ensure you repeat the order (shown at right). The stack orientation is important!

Level 2



STEP 7d

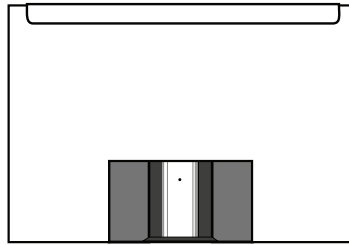
Place the last five ballast weights on top of the first row of bricks.



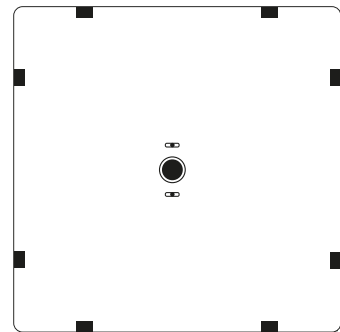
STEP 8

Take the cover and close the metal box. It will only fit one way. Ensure the alignment tabs are properly oriented and it is fully seated.

Side

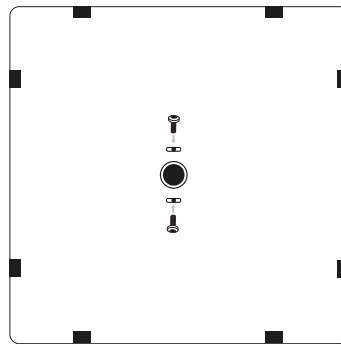


Top



STEP 9

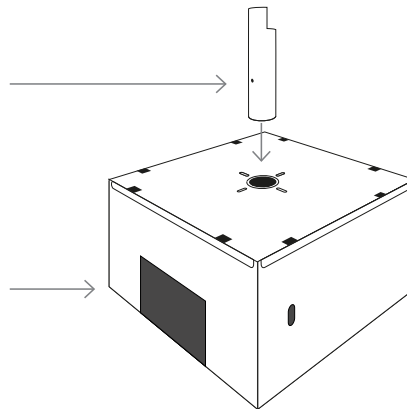
Secure the metal cover with the two M6 screws.



STEP 10

If you opted for a DOME with extended height, insert the extension piece as shown.

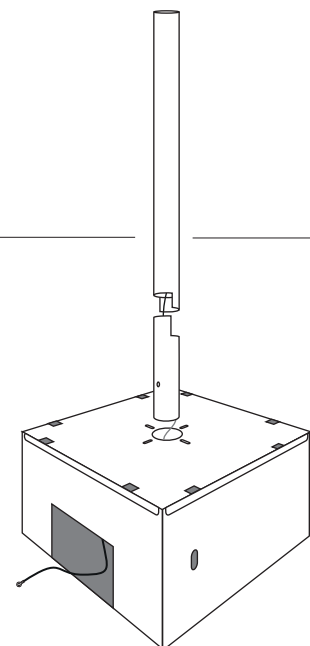
Ensure the screw hole faces the same direction as the opening in the metal box.



STEP 11

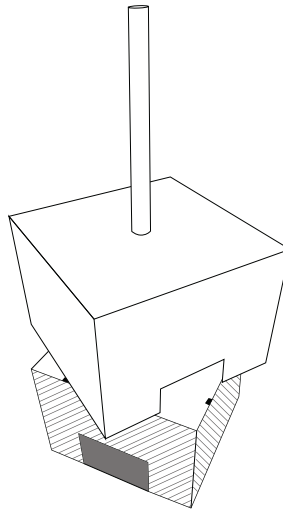
Insert the long tube into the hole.

Ensure the green and yellow ground wire is inside the opening and extends from the bottom through the opening in the metal box.



STEP 12

Gently slide the cover onto the pole. Use the plastic ring to protect it. Let the cover rest diagonally on the metal box underneath.

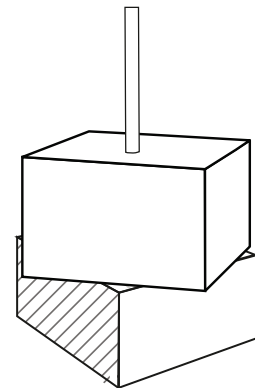
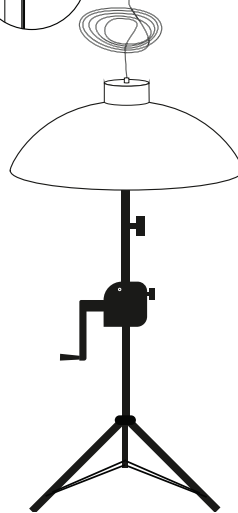
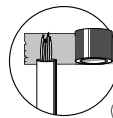


STEP 13

Using a mechanical lift, two strong friends, or the shipping box (as shown below) to lift the DOME hood in preparation for following steps.

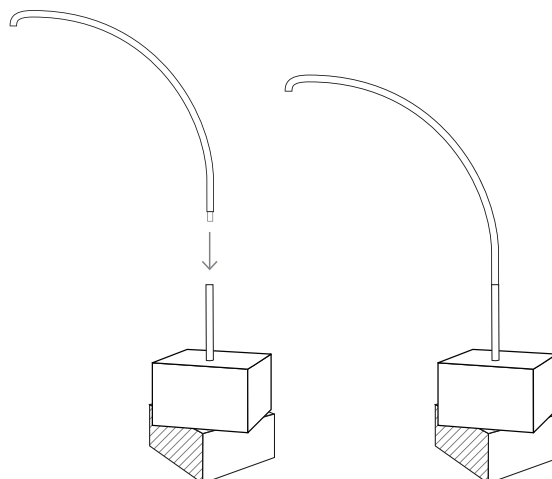
NOTE: Watch out for the round element on the bottom of the heater, it's fragile.

TIP: Use a piece of tape to hold the exposed wires at the end of the power cable together. This will ease its path into and through the tube.



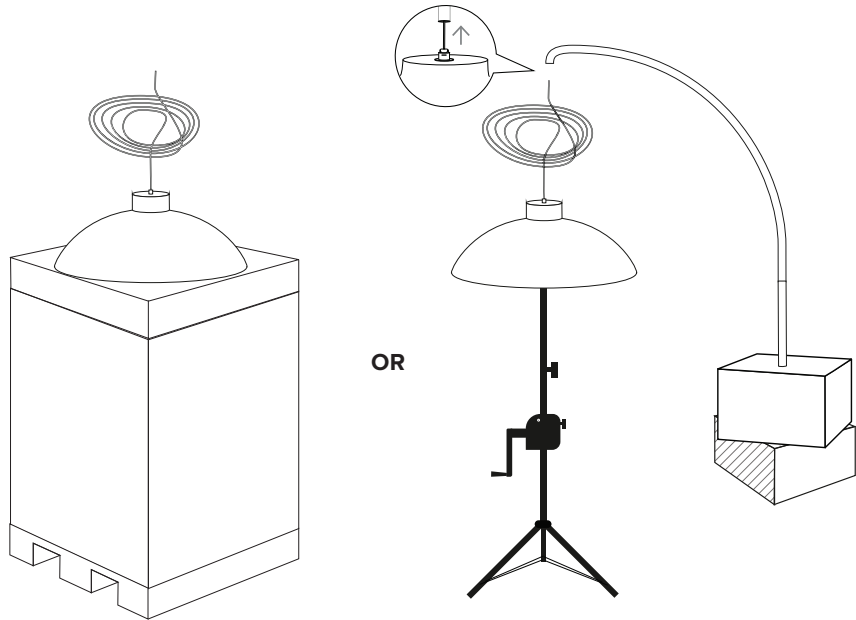
STEP 14

Insert the curved tube and attach it to the straight tube extending upwards from the base.



STEP 15

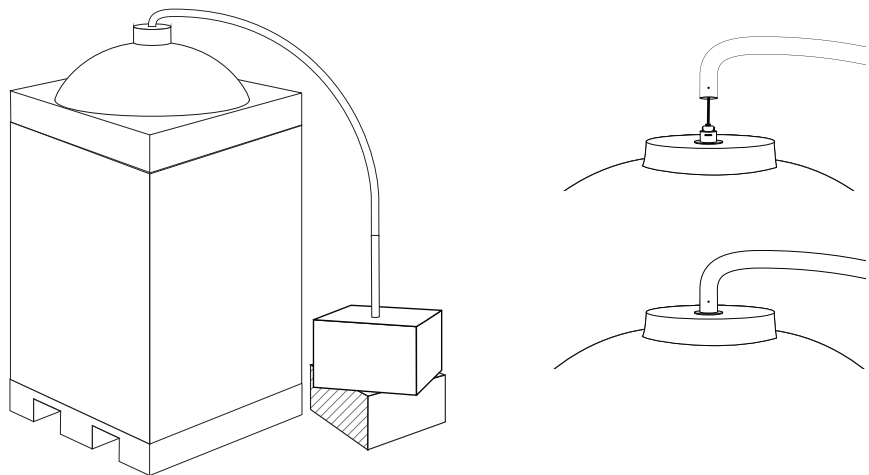
Insert the cable into the curved tube. Keep pushing until you can reach it through the opening at the bottom of the metal box.



STEP 16

Rotate the arc of the pole directly above the DOME. Insert and push the power cable through the pole as you lift the DOME to meet the mounting bracket to the pole.

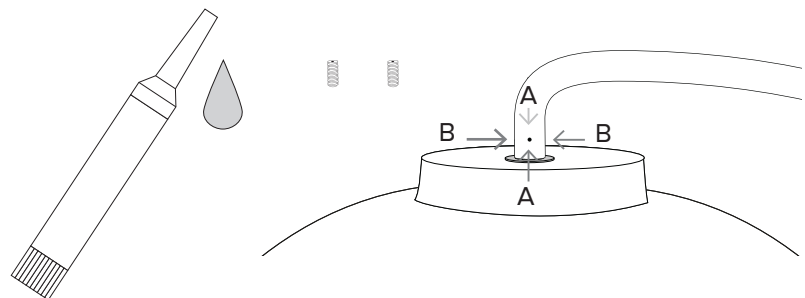
(shown at right)



STEP 17a

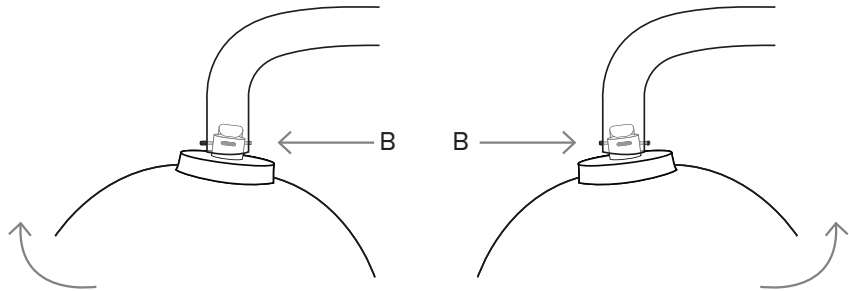
Identify the holes in the mounting bracket and make sure they match with the holes (A) shown at right. Secure the DOME using two M6 set screws and Threadlocker.

NOTE: DO NOT tighten them fully; they have to stick out 1/16 of an inch.



STEP 17b

Secure two set screws in the holes (B) to adjust the lift and level of the DOME to make it parallel to the ground by backing the set screws in or out. Tighten them fully.

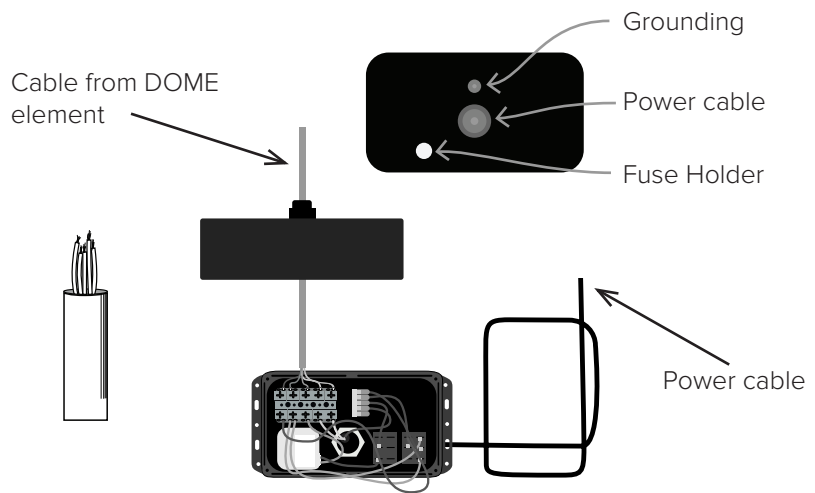


STEP 18

Remove the rear cover from the control box.

Insert the cable through the cable guide on the rear cover of the control box.

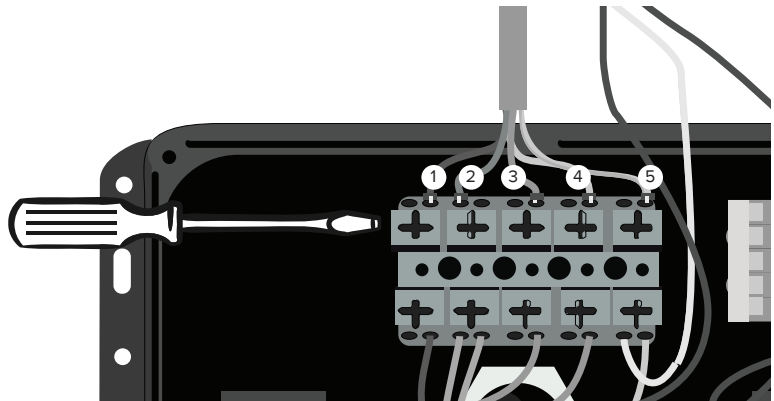
Ensure the other wires within the control box are not disconnected during this process.



STEP 19

Insert the wires into the corresponding terminals:

Wire color	Wire color	Pictogram
BLACK	BLACK	
GRAY	GRAY	
BROWN	BROWN	
BLUE	BLUE	N
GREEN/ YELLOW	GREEN/ YELLOW	

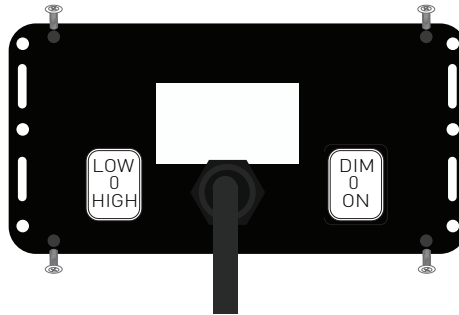


Push down on terminal with screwdriver tip (as shown above) while inserting the wire into the terminal to release terminal tension. Once wire is fully seated, release terminal and the wire will be held in place.

Test connection by gently tugging on wire. A well-seated wire will not easily pull out. You can find the wiring diagram on page 26.

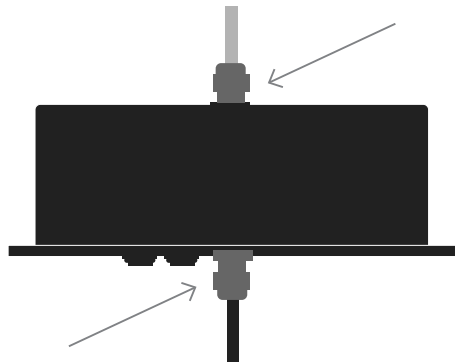
STEP 20

Using the Phillips head screwdriver, reattach the rear cover of the control box with the four screws.



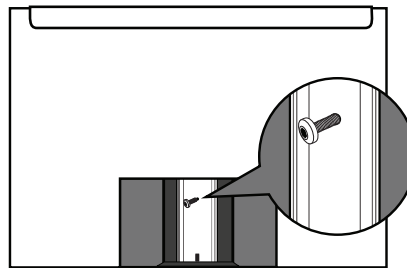
STEP 21

Tighten all the two cables glands to prevent ingress of the elements.



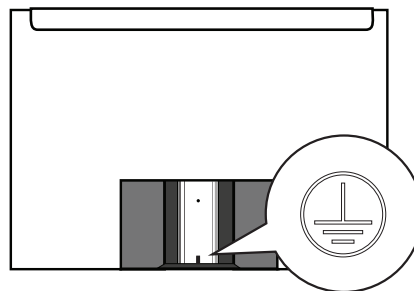
STEP 22

Tighten the M6 screw or screws on the tube. (See step 6)

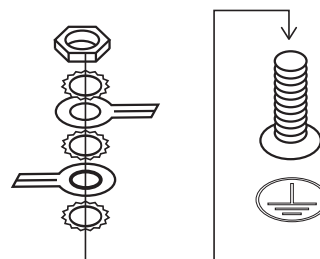


STEP 23

Look for the ground stud with the grounding symbol. (shown at right)



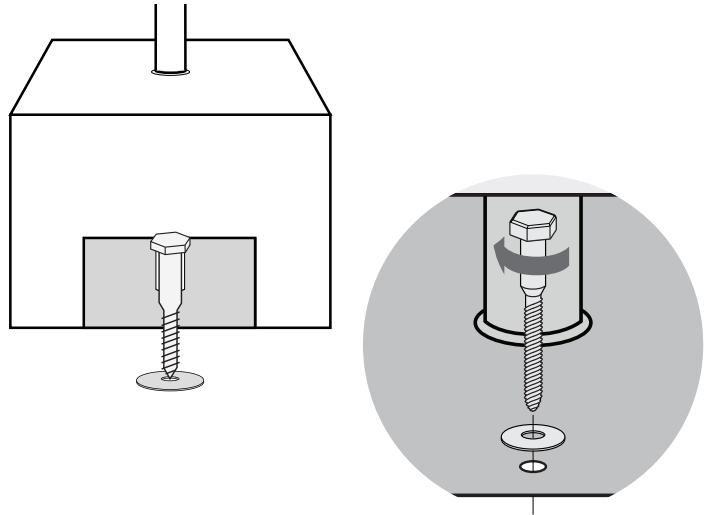
Attach the two grounding wires (green and yellow) from the tube and from the control box to the stud, layering the lock washers and wires as shown. Fasten with the supplied M6 nut, using 10mm wrench or socket.



STEP 24

Drill a hole in the mounting surface and anchor your DOME with the correct supplied floor screw according to the surface material.

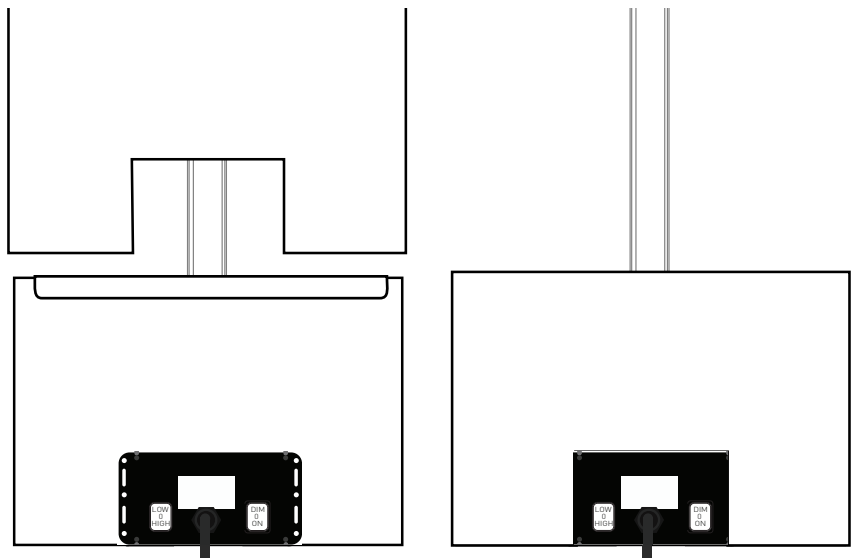
NOTE: We have provided an assortment of floor screws for most the most common surface materials. If the supplied hardware is not suitable for your surface, please contact your local hardware supplier.



STEP 25

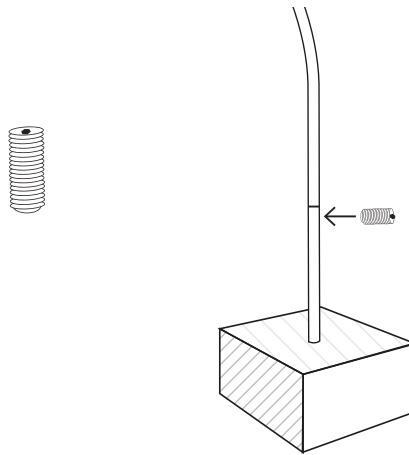
Insert the control box into the opening.

Lower the cover box over the metal box, securing the control box behind the cover box.



STEP 26

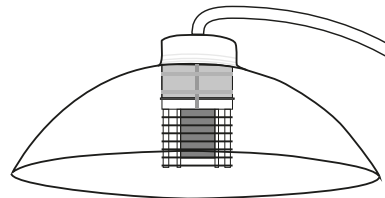
Secure the two parts of the tube with the supplied M6 set screw.



STEP 27

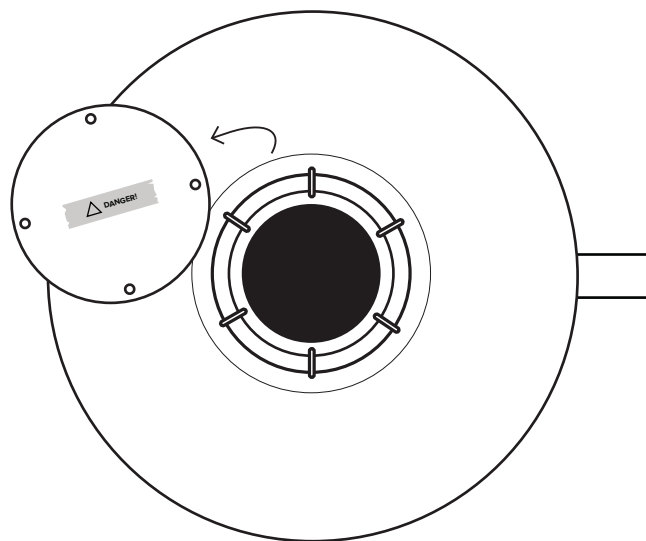
Cut away the three elastic bands and remove them entirely.

NOTE: Two of them are found behind the glass. Carefully lift up the glass to expose the bands.



STEP 28

Look up and identify the protective plate, remove by cutting the three zip ties. Ensure that all decals on the bottom of the plate and heating element are removed, if present.



Enjoy your brand new DOME.

7. Operation

Activate your DOME

After the DOME is wired to a suitable power outlet, the DOME may be powered on. The left switch (marked LOW - 0 - HIGH) switches the heater on. On "LOW" only three side elements heat, on "HIGH" all five side elements and the round bottom element are providing heat. "0" switches the heater off.

When you switch on the DOME, it takes up to 30 minutes before the DOME reaches its full temperature. When switched off, it may take up to 40 minutes before the DOME has completely cooled down.

The right switch (marked DIM - 0 - ON) manually controls the light.

"DIM" ENABLES THE REMOTE

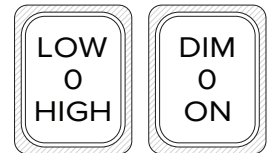
Enable the light with remote

"O" LIGHT OFF

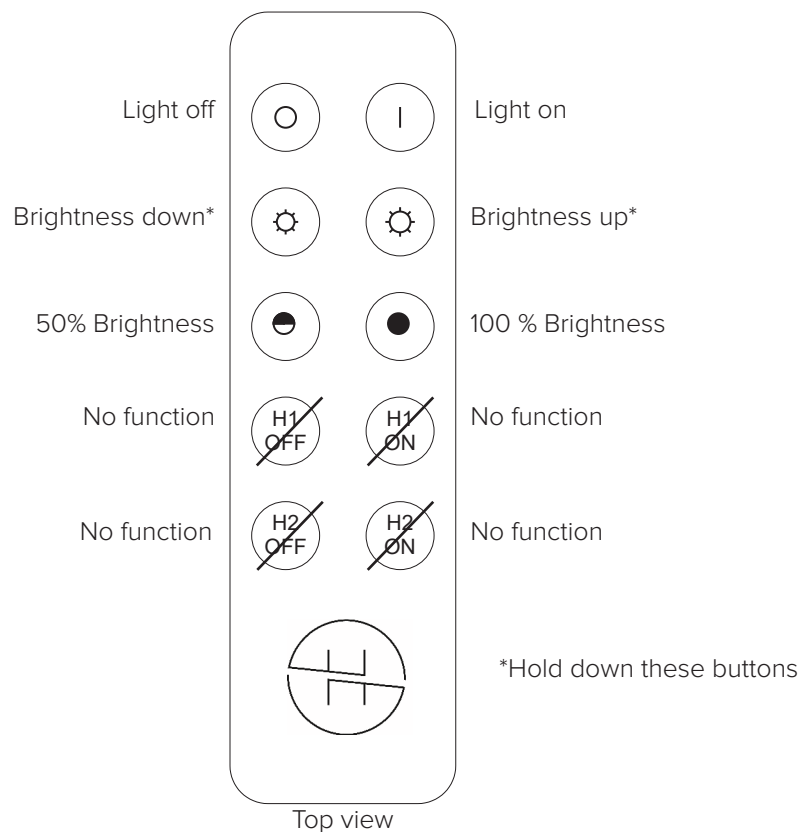
Switch off the light without the remote

"ON" LIGHT ON

Switch on the light without the remote



Located on the back of the panel of the base of the DOME.



8. Troubleshooting

The electrical supply must be disconnected via the installation's main breaker before any work can be carried out.

The light does not work (with or without remote control)

Switch off power. Lift the glass of the the DOME upwards. Insert a rigid item (like a screwdriver) underneath the glass to keep it up. You can now access the halogen bulb. Verify it is well-seated and not broken. If you need to replace the bulb, replace it with a standard R7S 78mm, 240V/120W bulb.

NOTE: Always use a cloth or gloves to replace the bulb, touching it with bare hands shortens the life considerably.

If light works with switch in foot, but not with the remote, see next page for reprogramming the remote control.

If this does not resolve your issues, verify all blue and brown wires are properly connected see wiring diagram page 26.

No heat

None of the elements are heating. Ensure power is set to HIGH. Verify blue, brown, black and gray wires are properly connected see wiring diagram page 26.

The heating only work partially

Verify blue, black and gray wires are properly connected see wiring diagram page 26.

Nothing works

Verify the fuse in rear of control box is not blown. If blown replace with 20A, 6.3 x 32mm, T slow rated 250VAC glass fuse.

Verify all wires are properly connected see wiring diagram page 26.

Verify that the circuit breaker switch is turned on and has not been tripped.

Close the control box and retry.

If still not working, please contact your dealer.

Step 1:

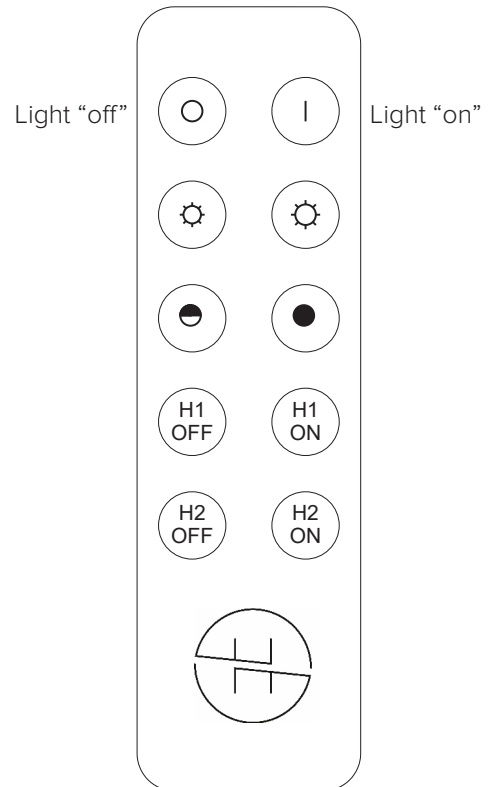
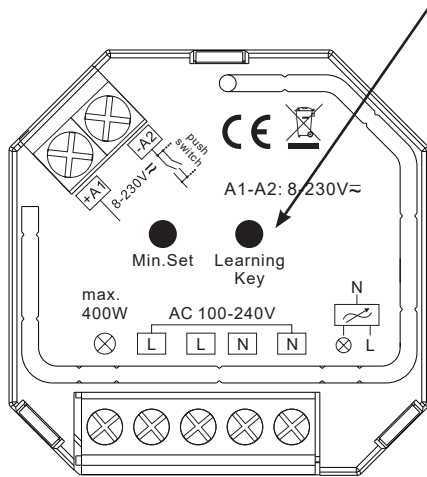
Disconnect remote before reinstalling

Switch the right (marked DIM - 0 - ON) to DIM while pressing the "light off" button, after six seconds the light will go on and off. Remote is disconnected.

Step 2: Reprogramming the remote:

Open the control box and locate the dimmer module.

- (1) Switch on the main power
- (2) Be aware of any exposed wiring
- (3) Find the "Learning Key" on the dimmer module

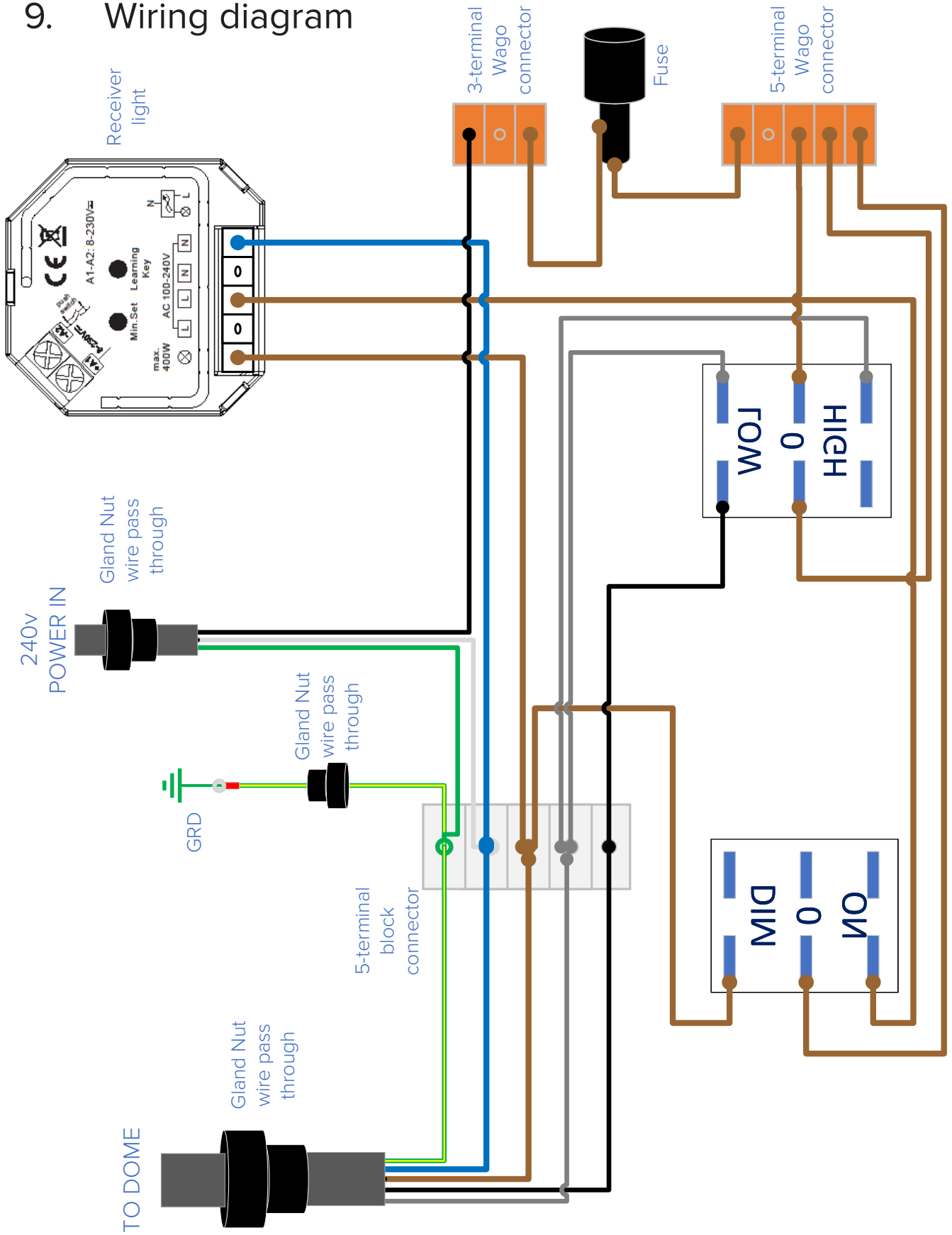


Step 3: Register transmitter with the receiver

- (1) Press the "Learning Key" briefly. The search mode will be active for a very short period.
- (2) Send a signal to the receiver with the remote by clicking on the "light on" button on the remote control. If this is the first use of the DOME, please be sure that the protective film on the battery of the remote is removed.
- (3) The receiver will store the applicable transmission code in the receivers memory. If the device successfully paired with the remote, the light on the DOME will light up briefly (1-2 seconds).

Repeat this procedure to register several remotes, if required. The receiver can store up to eight transmission codes in its memory. The memory will be retained if you install the receiver somewhere else or if the power goes off.

9. Wiring diagram



Find color version on <https://heatsail.com/usa/technical-specifications-documentation/>



DOME® TIMELESS LIGHTING
WITH HEATING FOR YOUR GARDEN OR TERRACE



RUSTPROOF &
WEATHERPROOF



LOW ENERGY USAGE
ZERO CO2 EMISSION



MINIMUM OF
MAINTENANCE



HEATSAIL

EXTEND YOUR GREAT MOMENTS

Corporate Headquarters

HEATSAIL NV

Prins Boudewijnlaan 7 Unit A 08
2550 Kontich
Belgium

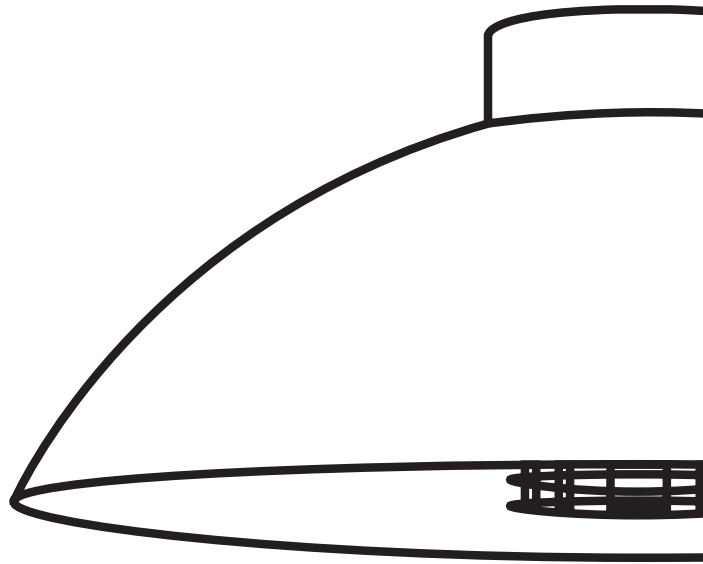
+32 3 502 99 88
sales@heatsail.com
www.heatsail.com

U.S. Office

HEATSAIL NV

10440 N Central Expresway, Suite 800
Dallas, Texas 75231
United States

+1 214 808 5091
UCM@heatsail.com
www.heatsail.com/usa



SERIAL NUMBER